

PO BOX 24783 - DOHA-QATAR

TEL : 460 5584

MOB : 567 5740

FAX : 458 2434

TADANO MODEL AR-1000M - 100T CRANE

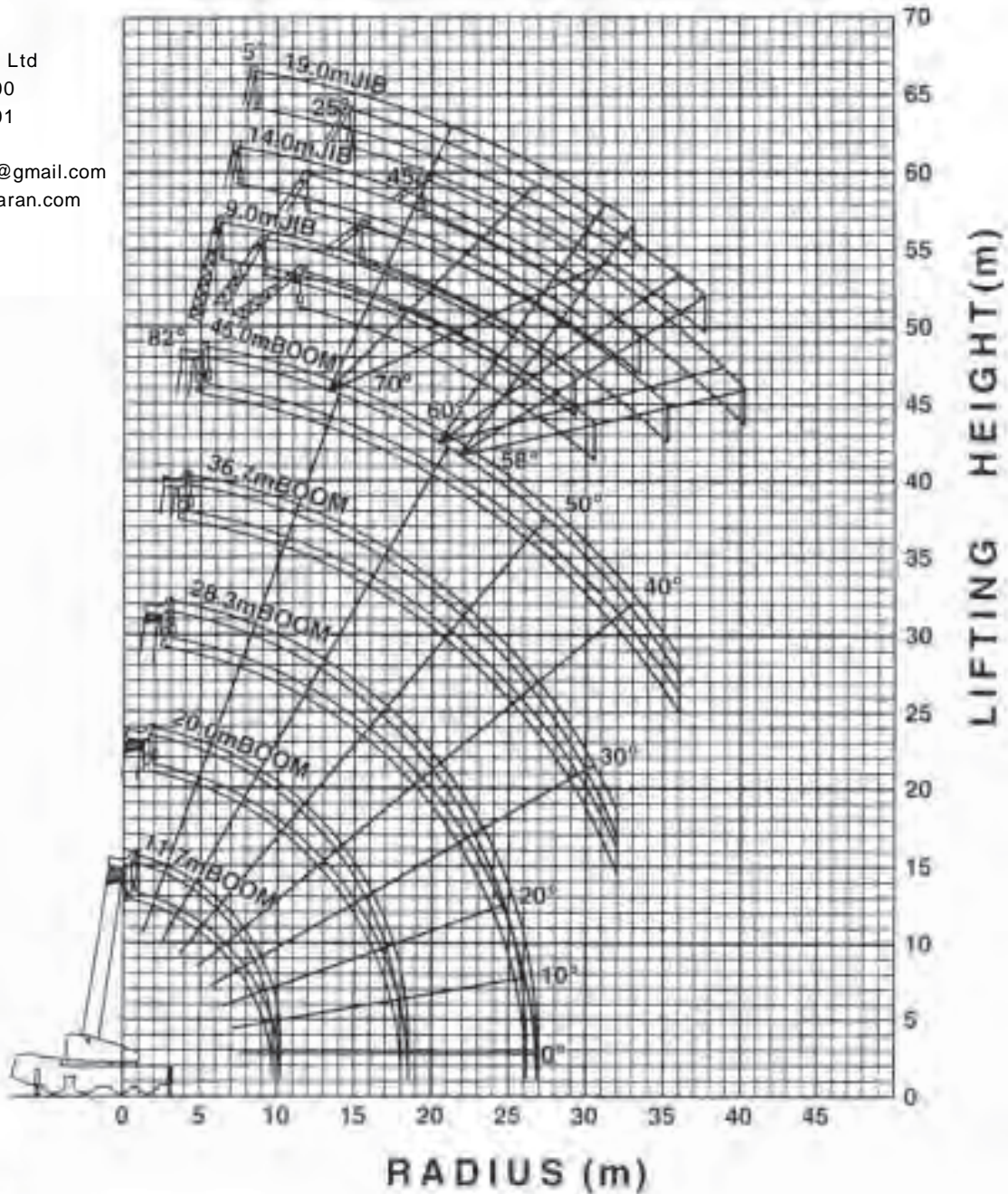
WORKING RANGE

Counterweight 6.8t

Telescoping mode I



()
 Yuekchun Const. Co. Ltd
 TEL +82 22691 6000
 FAX +82 22691 6001
 Web : y6000.co.kr
 E - mail1 : yccglobal@gmail.com
 E - mail2 : y6000@paran.com



NOTE:

Effect by boom bend not shown herein.

BOOM LENGTH

45.0 m Boom



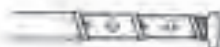
36.7 m Boom



28.3 m Boom



20.0 m Boom



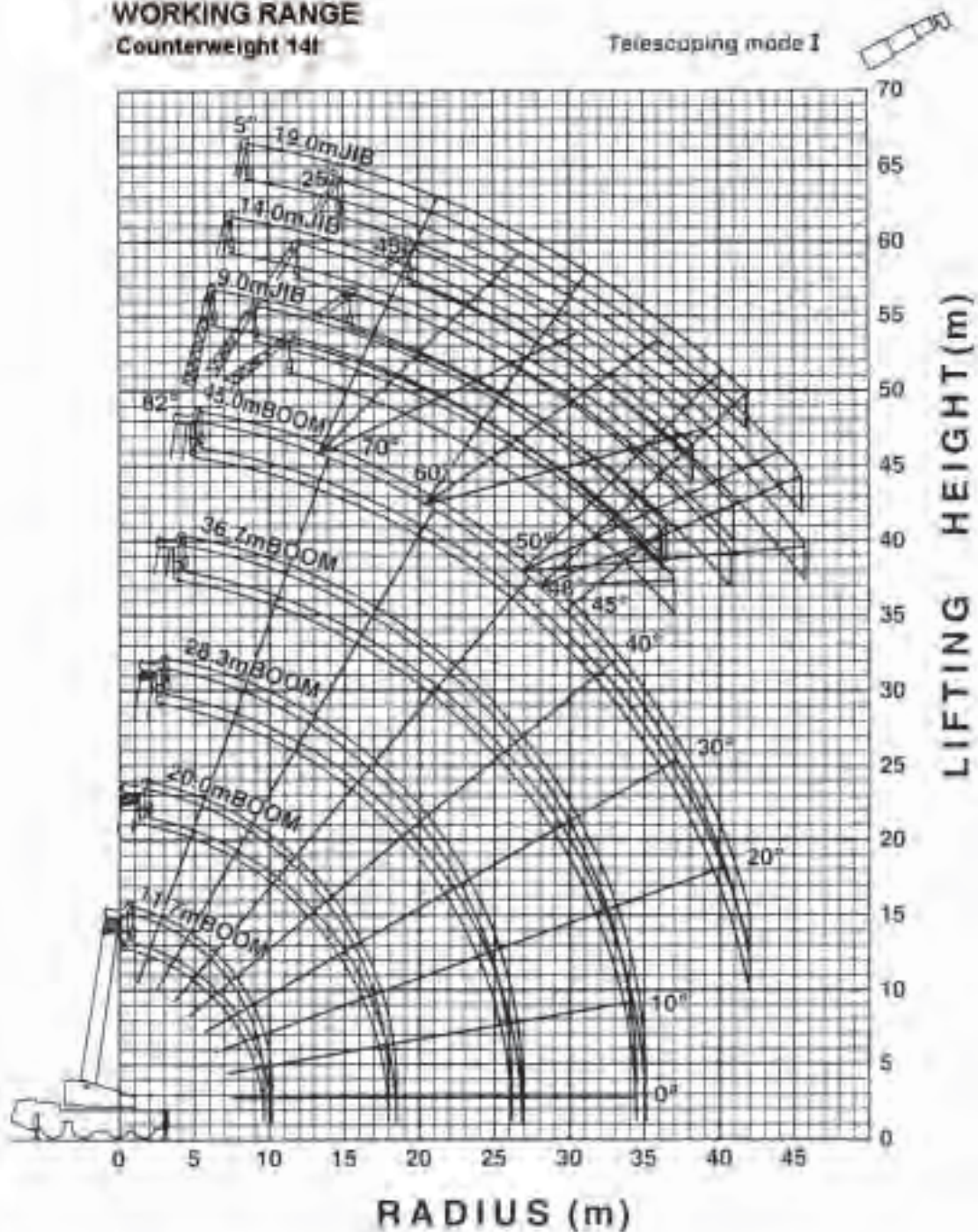
11.7 m Boom



WORKING RANGE

Counterweight 14t

Telescoping mode I



NOTE:

Effect by boom bend not shown herein.

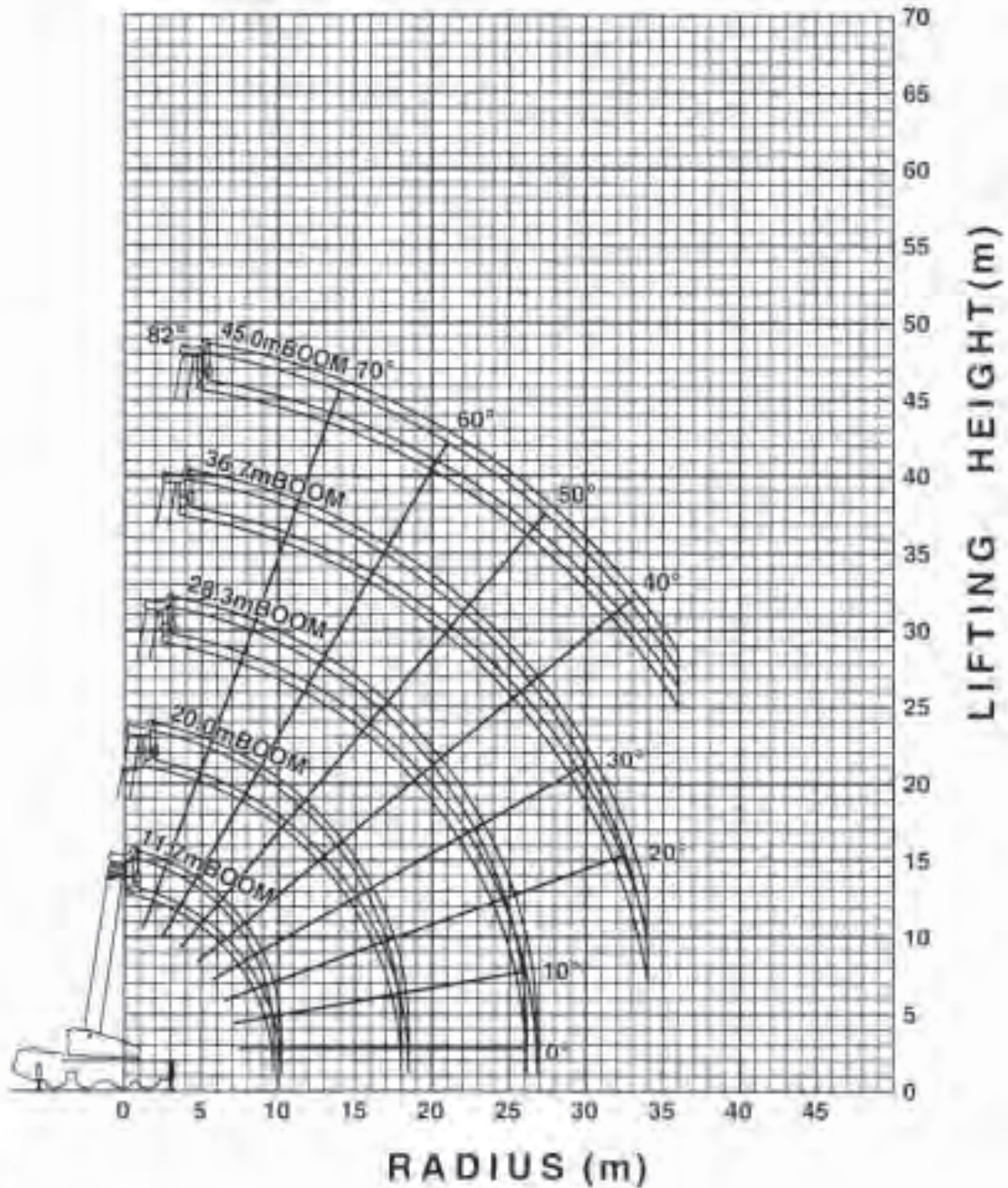
BOOM LENGTH

- 45.0 m Boom
- 36.7 m Boom
- 28.3 m Boom
- 20.0 m Boom
- 11.7 m Boom

WORKING RANGE

Counterweight 6.8t

Telescoping mode II



NOTE:

Effect by boom bend not shown herein.

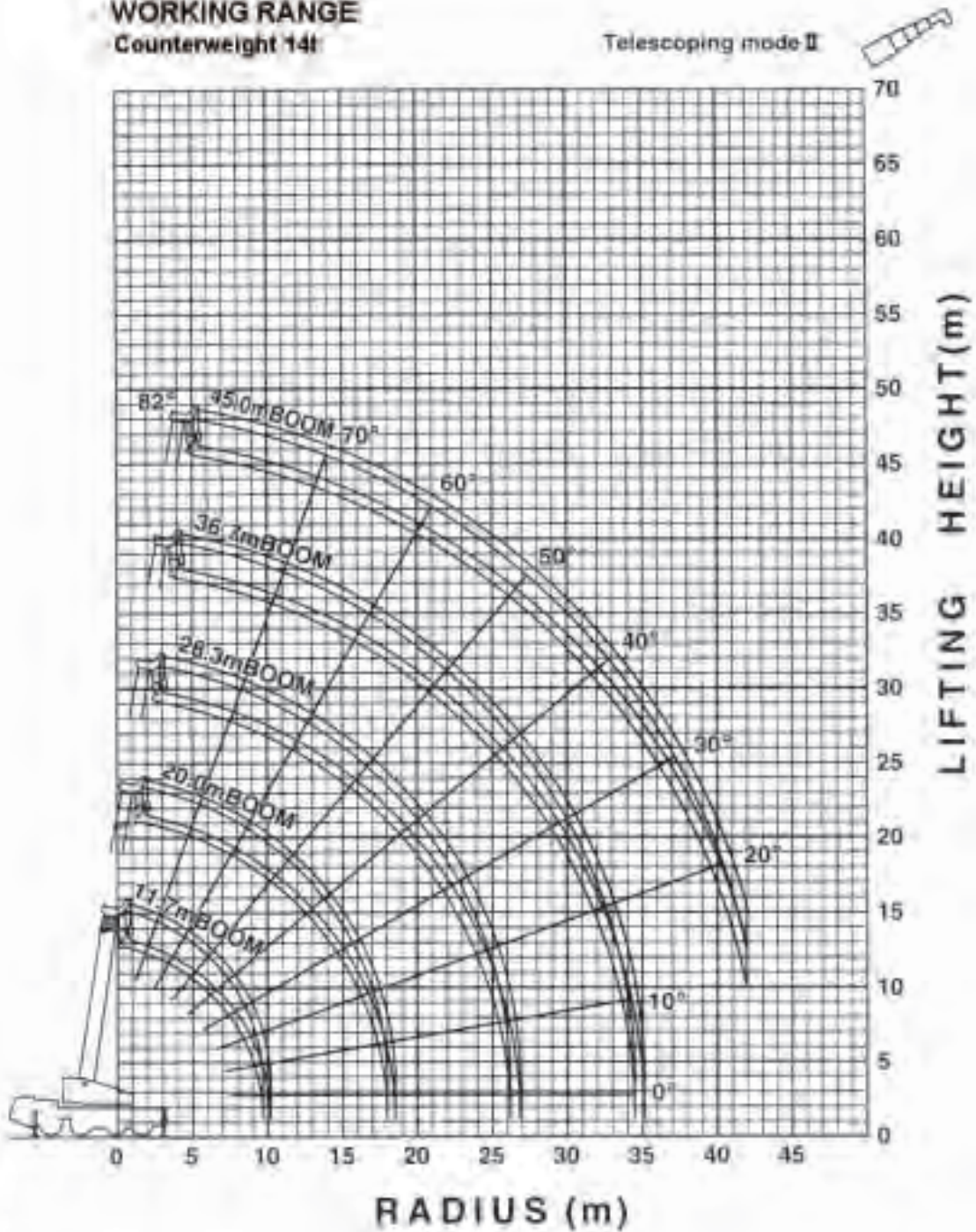
BOOM LENGTH

- 45.0 m Boom
- 36.7 m Boom
- 28.3 m Boom
- 20.0 m Boom
- 11.7 m Boom

WORKING RANGE

Counterweight 14t

Telescoping mode II



NOTE:

Effect by boom bend not shown herein.

BOOM LENGTH

- 45.0 m Boom
- 36.7 m Boom
- 28.3 m Boom
- 20.0 m Boom
- 11.7 m Boom

RATED LIFTING CAPACITIES (BOOM)

CAPACITY A

Counterweight

14.0t

Outrigger Extension Width

7.2m

Unit: X 1000kg

Load Radius (m)	Boom Length							
	11.7m	20.0m		28.3m		36.7m		45.0m
2.8	100.0	45.0	17.0					
3.0	93.0	45.0	17.0					
3.5	80.0	45.0	17.0	30.0	17.0			
4.0	70.0	45.0	17.0	30.0	17.0			
4.5	61.6	45.0	17.0	30.0	17.0	17.0	17.0	
5.0	55.2	45.0	17.0	30.0	17.0	17.0	17.0	11.5
5.5	49.3	45.0	17.0	28.5	17.0	17.0	17.0	11.5
6.0	45.1	43.8	17.0	28.9	17.0	17.0	17.0	11.5
6.5	41.0	40.7	17.0	25.5	17.0	17.0	17.0	11.5
7.0	37.8	38.0	17.0	24.0	17.0	17.0	16.6	11.5
8.0	32.2	32.5	17.0	21.3	17.0	17.0	15.3	11.5
9.0	27.8	28.1	17.0	19.1	17.0	17.0	14.2	11.5
10.0		24.5	17.0	17.2	17.0	15.4	13.2	11.5
11.0		21.5	17.0	15.5	16.2	14.1	12.2	11.5
12.0		18.4	17.0	14.2	15.4	13.1	11.4	11.0
14.0		13.9	15.1	12.0	13.6	11.2	10.0	9.7
16.0		10.8	11.9	10.2	12.1	9.6	8.9	8.4
18.0				8.6	10.1	8.2	8.0	7.4
20.0				6.8	8.3	7.1	7.3	6.5
22.0				5.2	6.9	6.2	6.5	5.7
24.0				4.0	5.8	5.4	5.8	5.1
26.0				3.0	4.8	4.3	5.0	4.6
28.0						3.4	4.1	4.0
30.0						2.7	3.4	3.5
32.0						2.1	2.8	2.9
34.0						1.6	2.2	2.3
36.0								1.8
38.0								1.4
40.0								1.1
42.0								0.8
$\theta(^{\circ})$	0-82	0-82	0-82	0-82	0-82	0-82	0-82	10-82
Telescoping Conditions (%)								
Telescoping Mode	I, II	I	II	I	II	I	II	I, II
2nd boom	0	50	25	100	50	100	75	100
3rd boom	0	50	25	100	50	100	75	100
4th boom	0	0	25	0	50	50	75	100
5th boom	0	0	25	0	50	50	75	100

RATED LIFTING CAPACITIES (BOOM)

CAPACITY B

Counterweight

6.8t

Outrigger Extension Width

7.2m

Unit: X 1000kg

Load Radius (m)	Boom Length							
	11.7m	20.0m		28.3m		36.7m		45.0m
2.8	90.0	45.0	17.0					
3.0	85.0	45.0	17.0					
3.5	73.2	45.0	17.0	30.0	17.0			
4.0	64.0	45.0	17.0	30.0	17.0			
4.5	56.8	45.0	17.0	30.0	17.0	17.0	17.0	
5.0	50.8	45.0	17.0	30.0	17.0	17.0	17.0	11.5
5.5	45.5	45.0	17.0	28.5	17.0	17.0	17.0	11.5
6.0	41.7	42.0	17.0	28.9	17.0	17.0	17.0	11.5
6.5	38.0	38.2	17.0	25.5	17.0	17.0	17.0	11.5
7.0	34.9	35.2	17.0	24.0	17.0	17.0	16.6	11.5
8.0	29.5	29.8	17.0	21.3	17.0	17.0	15.3	11.5
9.0	24.6	25.0	17.0	19.1	17.0	17.0	14.2	11.5
10.0		20.5	17.0	17.2	17.0	15.4	13.2	11.5
11.0		17.2	17.0	15.5	16.2	14.1	12.2	11.5
12.0		14.6	15.8	14.2	15.4	13.1	11.4	11.0
14.0		10.8	12.0	10.8	12.5	11.2	10.0	9.7
16.0		8.1	9.3	8.2	9.6	9.5	8.9	8.4
18.0				6.2	7.8	7.5	8.0	7.4
20.0				4.5	6.3	5.9	6.5	6.5
22.0				3.2	5.1	4.6	5.3	5.4
24.0				2.1	4.0	3.6	4.3	4.4
26.0				1.3	3.1	2.7	3.3	3.5
28.0						1.9	2.5	2.8
30.0						1.3	1.9	2.1
32.0						0.8	1.3	1.6
34.0							0.9	1.2
36.0								0.8
$\theta(^{\circ})$	0~82	0~82	0~82	0~82	0~82	18~82	0~82	33~82
Telescoping Conditions (%)								
Telescoping Mode	I, II	I	II	I	II	I	II	I, II
2nd boom	0	50	25	100	50	100	75	100
3rd boom	0	50	25	100	50	100	75	100
4th boom	0	0	25	0	50	50	75	100
5th boom	0	0	25	0	50	50	75	100

RATED LIFTING CAPACITIES (BOOM)

CAPACITY C

Counterweight

14.0t

Outrigger Extension Width

6.36m

Unit: X 1000kg

Load Radius (m)	Boom Length							
	11.7m	20.0m		28.3m		36.7m		45.0m
2.8	73.0	45.0	17.0					
3.0	70.2	45.0	17.0					
3.5	63.7	45.0	17.0	30.0	17.0			
4.0	58.1	45.0	17.0	30.0	17.0			
4.5	53.3	45.0	17.0	30.0	17.0	17.0	17.0	
5.0	49.0	45.0	17.0	30.0	17.0	17.0	17.0	11.5
5.5	45.3	45.0	17.0	28.5	17.0	17.0	17.0	11.5
6.0	42.0	42.4	17.0	28.9	17.0	17.0	17.0	11.5
6.5	39.1	39.4	17.0	25.5	17.0	17.0	17.0	11.5
7.0	36.5	36.8	17.0	24.0	17.0	17.0	16.6	11.5
8.0	32.2	32.5	17.0	21.3	17.0	17.0	15.3	11.5
9.0	27.8	28.1	17.0	19.1	17.0	17.0	14.2	11.5
10.0		23.3	17.0	17.2	17.0	15.4	13.2	11.5
11.0		19.5	17.0	15.5	16.2	14.1	12.2	11.5
12.0		18.5	17.0	14.2	15.4	13.1	11.4	11.0
14.0		12.3	13.5	12.0	13.6	11.2	10.0	9.7
16.0		9.3	10.5	9.4	11.0	9.6	8.9	8.4
18.0				7.3	8.8	8.2	8.0	7.4
20.0				5.5	7.2	6.8	7.3	6.5
22.0				4.0	5.9	5.5	6.1	5.7
24.0				2.9	4.8	4.3	5.0	5.1
26.0				2.0	3.7	3.3	4.1	4.2
28.0						2.5	3.2	3.3
30.0						1.8	2.5	2.6
32.0						1.3	1.9	2.0
34.0						0.8	1.5	1.5
36.0								1.1
38.0								0.7
$\theta(^{\circ})$	0~82	0~82	0~82	0~82	0~82	0~82	0~82	26~82
Telescoping Conditions (%)								
Telescoping Mode	I, II	I	II	I	II	I	II	I, II
2nd boom	0	50	25	100	50	100	75	100
3rd boom	0	50	25	100	50	100	75	100
4th boom	0	0	25	0	50	50	75	100
5th boom	0	0	25	0	50	50	75	100

RATED LIFTING CAPACITIES (BOOM)

CAPACITY D **Counterweight** **6.8t**
Outrigger Extension Width **6.36m** **Unit: X 1000kg**

Load Radius (m)	Boom Length							
	11.7m	20.0m		28.3m		36.7m		45.0m
2.8	72.0	45.0	17.0					
3.0	69.3	45.0	17.0					
3.5	62.7	45.0	17.0	30.0	17.0			
4.0	57.1	45.0	17.0	30.0	17.0			
4.5	52.3	45.0	17.0	30.0	17.0	17.0	17.0	
5.0	48.0	45.0	17.0	30.0	17.0	17.0	17.0	11.5
5.5	44.3	44.6	17.0	28.5	17.0	17.0	17.0	11.5
6.0	41.0	41.4	17.0	28.9	17.0	17.0	17.0	11.5
6.5	38.0	38.4	17.0	25.5	17.0	17.0	17.0	11.5
7.0	34.9	35.2	17.0	24.0	17.0	17.0	16.6	11.5
8.0	27.5	28.0	17.0	21.3	17.0	17.0	15.3	11.5
9.0	21.6	22.1	17.0	19.1	17.0	17.0	14.2	11.5
10.0		17.9	17.0	17.2	17.0	15.4	13.2	11.5
11.0		14.7	16.1	14.8	16.2	14.1	12.2	11.5
12.0		12.3	13.6	12.3	14.2	13.1	11.4	11.0
14.0		8.8	10.1	8.8	10.5	10.2	10.0	9.7
16.0		6.4	7.6	6.4	8.1	7.7	8.3	8.4
18.0				4.5	6.3	5.9	6.5	6.6
20.0				3.0	4.9	4.5	5.1	5.2
22.0				1.8	3.7	3.3	4.0	4.1
24.0				0.9	2.8	2.3	3.0	3.1
26.0					2.0	1.5	2.2	2.3
28.0						0.9	1.5	1.6
30.0							1.0	1.1
ψ(°)	0-82	0-82	0-82	18-82	0-82	33-82	27-82	45-82
Telescoping Conditions (%)								
Telescoping Mode	I, II	I	II	I	II	I	II	I, II
2nd boom	0	50	25	100	50	100	75	100
3rd boom	0	50	25	100	50	100	75	100
4th boom	0	0	25	0	50	50	75	100
5th boom	0	0	25	0	50	50	75	100

RATED LIFTING CAPACITIES (BOOM)

CAPACITY E

Counterweight

14.0t

Outrigger Extension Width

4.9m

Unit: X 1000kg

Load Radius (m)	Boom Length							
	11.7m	20.0m		28.3m		36.7m		45.0m
2.8	62.0	45.0	17.0					
3.0	60.5	45.0	17.0					
3.5	54.8	45.0	17.0	30.0	17.0			
4.0	50.0	45.0	17.0	30.0	17.0			
4.5	45.8	45.0	17.0	30.0	17.0	17.0	17.0	
5.0	42.1	42.4	17.0	30.0	17.0	17.0	17.0	11.5
5.5	38.9	39.2	17.0	28.5	17.0	17.0	17.0	11.5
6.0	36.0	36.3	17.0	26.9	17.0	17.0	17.0	11.5
6.5	33.5	33.8	17.0	25.5	17.0	17.0	17.0	11.5
7.0	30.4	30.9	17.0	24.0	17.0	17.0	16.6	11.5
8.0	23.7	24.2	17.0	21.3	17.0	17.0	15.3	11.5
9.0	19.1	19.5	17.0	19.1	17.0	17.0	14.2	11.5
10.0		16.0	17.0	16.1	17.0	15.4	13.2	11.5
11.0		13.4	14.6	13.5	15.2	14.1	12.2	11.5
12.0		11.3	12.5	11.4	13.0	12.7	11.4	11.0
14.0		8.2	9.3	8.3	9.9	8.5	10.0	9.7
16.0		5.8	7.0	6.0	7.6	7.3	7.9	8.0
18.0				4.2	6.0	5.6	6.2	6.3
20.0				2.8	4.7	4.2	4.9	5.0
22.0				1.7	3.5	3.1	3.8	3.9
24.0				0.8	2.6	2.2	2.9	3.0
26.0					1.9	1.4	2.1	2.2
28.0						0.8	1.4	1.6
30.0							0.9	1.0
$\theta(^{\circ})$	0-82	0-82	0-82	18-82	0-82	33-82	27-82	44-82
Telescoping Conditions (%)								
Telescoping Mode	I, II	I	II	I	II	I	II	I, II
2nd boom	0	50	25	100	50	100	75	100
3rd boom	0	50	25	100	50	100	75	100
4th boom	0	0	25	0	50	50	75	100
5th boom	0	0	25	0	50	50	75	100

RATED LIFTING CAPACITIES (BOOM)

CAPACITY F	Counterweight	4.3t, 2.0t
	Outrigger Extension Width	7.2m
	Counterweight	6.8t
	Outrigger Extension Width	4.9m
	Counterweight	14.0t
	Outrigger Extension Width	3.6m
		Unit: X 1000kg

Load Radius (m)	Boom Length							
	11.7m	20.0m		28.3m		36.7m		45.0m
2.8	53.0	45.0	17.0					
3.0	51.7	45.0	17.0					
3.5	46.8	45.0	17.0	30.0	17.0			
4.0	42.6	42.9	17.0	30.0	17.0			
4.5	39.0	39.3	17.0	30.0	17.0	17.0	17.0	
5.0	35.9	36.2	17.0	30.0	17.0	17.0	17.0	11.5
5.5	31.0	31.5	17.0	28.5	17.0	17.0	17.0	11.5
6.0	26.4	26.9	17.0	26.9	17.0	17.0	17.0	11.5
6.5	22.9	23.3	17.0	23.4	17.0	17.0	17.0	11.5
7.0	20.0	20.5	17.0	20.6	17.0	17.0	16.6	11.5
8.0	15.7	16.1	17.0	16.2	17.0	17.0	15.3	11.5
9.0	12.6	12.9	14.2	13.0	14.7	14.3	14.2	11.5
10.0		10.5	11.7	10.6	12.2	11.9	12.5	11.5
11.0		8.6	9.8	8.7	10.3	10.0	10.6	10.7
12.0		7.1	8.3	7.2	8.6	8.5	9.1	9.2
14.0		4.7	6.0	4.8	6.5	6.1	6.7	6.8
16.0		2.9	4.2	3.0	4.8	4.4	5.0	5.1
18.0				1.6	3.4	3.0	3.7	3.8
20.0					2.3	2.0	2.6	2.8
22.0					1.4		1.7	1.9
$\theta(^{\circ})$	0-82	0-82	0-82	43-82	29-82	50-82	48-82	58-82
Telescoping Conditions (%)								
Telescoping Mode	I, II	I	II	I	II	I	II	I, II
2nd boom	0	50	25	100	50	100	75	100
3rd boom	0	50	25	100	50	100	75	100
4th boom	0	0	25	0	50	50	75	100
5th boom	0	0	25	0	50	50	75	100

RATED LIFTING CAPACITIES (BOOM)

CAPACITY G	Counterweight 4.3t, 2.0t Outrigger Extension Width 6.36m Counterweight 6.8t Outrigger Extension Width 3.6m	Unit: X 1000kg
-------------------	---	-----------------------

Load Radius (m)	Boom Length							
	11.7m	20.0m		28.3m		36.7m		45.0m
2.8	53.0	45.0	17.0					
3.0	51.0	45.0	17.0					
3.5	48.1	45.0	17.0	30.0	17.0			
4.0	41.9	42.2	17.0	30.0	17.0			
4.5	34.4	35.0	17.0	30.0	17.0	17.0	17.0	
5.0	28.0	28.5	17.0	28.6	17.0	17.0	17.0	11.5
5.5	23.2	23.7	17.0	23.8	17.0	17.0	17.0	11.5
6.0	19.6	20.1	17.0	20.2	17.0	17.0	17.0	11.5
6.5	16.8	17.3	17.0	17.4	17.0	17.0	17.0	11.5
7.0	14.5	15.0	16.3	15.1	16.9	16.6	16.6	11.5
8.0	11.1	11.5	12.7	11.6	13.3	13.0	13.7	11.5
9.0	8.6	8.9	10.2	9.0	10.7	10.4	11.1	11.2
10.0		7.0	8.2	7.1	8.8	8.4	9.1	8.2
11.0		5.5	6.7	5.8	7.2	6.9	7.5	7.8
12.0		4.1	5.5	4.2	6.0	5.7	6.3	6.4
14.0		2.1	3.5	2.2	4.1	3.7	4.4	4.5
16.0			2.0		2.6	2.2	2.9	3.0
$\theta(^{\circ})$	0~82	35~82	23~82	55~82	50~82	61~82	61~82	67~82
Telescoping Conditions (%)								
Telescoping Mode	I, II	I	II	I	II	I	II	I, II
2nd boom	0	50	25	100	50	100	75	100
3rd boom	0	50	25	100	50	100	75	100
4th boom	0	0	25	0	50	50	75	100
5th boom	0	0	25	0	50	50	75	100

RATED LIFTING CAPACITIES (BOOM) Unit: X 1000kg

CAPACITY H	Counterweight	4.3t, 2.0t
	Outrigger Extension Width	4.9m
	Counterweight	4.3t, 2.0t
	Outrigger Extension Width	3.6m

Load Radius (m)	Boom Length		
	11.7m	20.0m	
2.8	20.0	17.0	17.0
3.0	20.0	17.0	17.0
3.5	15.5	15.8	15.8
4.0	11.9	12.2	12.2
4.5	9.4	9.7	9.7
5.0	7.6	7.8	7.8
5.5	6.2	6.4	6.4
6.0	5.1	5.3	5.3
6.5	4.2	4.4	4.4
7.0	3.4	3.7	3.7
7.5	2.8	3.0	3.0
8.0	2.3	2.5	2.5
9.0	1.4	1.6	1.6
10.0		1.0	1.0
$\theta(^{\circ})$	0~62	53~62	53~62
Telescoping conditions (%)			
Telescoping mode	I, II	I	II
2nd boom	0	50	25
3rd boom	0	50	25
4th boom	0	0	25
5th boom	0	0	25

CAPACITY K

**Counterweight 4.3t, 2.0t,
without Outriggers**

Load Radius (m)	Boom Length
	11.7m
2.8	3.5
3.0	3.5
3.5	3.5
4.0	3.5
4.5	3.5
5.0	3.5
5.5	3.2
6.0	2.5
6.5	2.0
7.0	1.5
7.5	1.1
$\theta(^{\circ})$	20~75

The combination and no. of the Counterweight and outrigger extension width for capacity J are shown in the table below.

(The capacity of a 14.0t counterweight are marked with *.)

Outrigger Extension Width	Counterweight		
	14.0t	6.8t	4.3t or 2.0t
2.48m	0°~50°	0°~73°	0°~75°
Without Outriggers, backward (with swing lock pin)	0°~50°	Capacity I	0°~75°
Without Outriggers	0°~50°	0°, 73°	Capacity K

CAPACITY I

**Counterweight 6.8t,
without Outriggers, backward
(with swing lock pin)**

Load Radius (m)	Boom Length
	11.7m
2.8	15.0
3.0	15.0
3.5	15.0
4.0	14.0
4.5	12.7
5.0	11.3
5.5	10.0
6.0	9.0
6.5	8.1
7.0	7.2
7.5	6.4
8.0	5.6
9.0	4.3
$\theta(^{\circ})$	0~73

CAPACITY J

Load Radius (m)	Boom Length
	11.7m
2.8	3.5
3.0	3.5
3.5	3.5
4.0	3.5
4.5	3.5
5.0	3.5
5.5	3.5
*6.0	3.5
*6.5	3.4
*7.0	2.8
*7.5	2.3
*8.0	1.8
*9.0	1.1
$\theta(^{\circ})$	#

RATED LIFTING CAPACITIES (JIB) CAPACITY A
 (Counterweight 14.0t, Outrigger width 7.2m) Unit: X 1000kg

Jib Length Jib Offset	45.0m Boom + 9.0m Jib						45.0m Boom + 14.0m Jib					
	5°		25°		45°		5°		25°		45°	
Boom Angle (°)	R (m)	W	R (m)	W	R (m)	W	R (m)	W	R (m)	W	R (m)	W
82	7.6	6.5	10.1	4.2	11.9	3.0	8.7	3.5	13.0	2.4	16.0	1.5
80	9.8	6.5	12.1	4.2	13.8	3.0	11.0	3.5	15.1	2.4	18.0	1.5
79	10.8	6.5	13.1	4.2	14.8	3.0	12.2	3.5	16.2	2.4	19.0	1.5
78	11.9	6.5	14.1	4.2	15.7	3.0	13.3	3.5	17.2	2.4	19.9	1.5
75	14.8	5.7	17.0	4.0	18.5	2.95	16.6	3.5	20.3	2.25	22.8	1.5
73	16.7	5.2	18.8	3.85	20.3	2.9	18.8	3.5	22.3	2.15	24.7	1.5
70	19.4	4.35	21.5	3.55	22.9	2.8	22.0	3.3	25.2	2.0	27.4	1.5
68	21.2	3.85	23.2	3.2	24.5	2.75	23.9	3.0	27.0	1.9	29.1	1.47
65	23.8	3.3	25.7	2.75	26.9	2.5	26.7	2.5	29.8	1.8	31.6	1.42
63	25.4	2.95	27.3	2.5	28.5	2.3	28.5	2.25	31.5	1.75	33.3	1.4
60	27.9	2.55	29.7	2.2	30.7	2.05	31.2	1.95	34.1	1.6	35.6	1.35
58	29.4	2.3	31.2	2.0	32.1	1.85	32.9	1.75	35.6	1.45	37.1	1.34
55	31.7	1.85	33.3	1.7	34.2	1.65	35.3	1.5	37.9	1.25	39.1	1.2
53	33.1	1.6	34.7	1.5	35.4	1.45	36.9	1.35	38.4	1.15	40.5	1.1
50	35.2	1.2	36.6	1.1	37.2	1.05	39.2	1.05	41.5	0.95	42.3	0.85
48	36.5	0.9	37.8	0.8	38.4	0.75	40.5	0.75	42.7	0.65		
45	38.3	0.5										
θ(°)	44~82		47~82		47~82		47~82		47~82		49~82	

Jib Length Jib Offset	45.0m Boom + 19.0m Jib					
	5°		25°		45°	
Boom Angle (°)	R (m)	W	R (m)	W	R (m)	W
82	10.1	2.5	15.7	1.1	20.1	0.7
80	12.7	2.5	18.0	1.1	22.1	0.7
79	13.9	2.5	19.1	1.1	23.2	0.7
78	15.1	2.45	20.3	1.1	24.2	0.7
75	18.5	2.1	23.5	1.0	27.1	0.68
73	20.7	1.9	25.6	0.97	29.1	0.67
70	24.1	1.7	28.7	0.91	31.9	0.66
68	26.2	1.55	30.7	0.88	33.7	0.65
65	29.3	1.4	33.6	0.84	36.3	0.64
63	31.3	1.3	35.5	0.81	37.9	0.63
60	34.3	1.2	38.2	0.78	40.3	0.62
58	36.2	1.15	39.9	0.76	41.8	0.62
55	39.0	1.05	42.4	0.73	44.0	0.62
53	40.7	1.0	44.0	0.72	45.2	0.62
50	43.2	0.9	45.9	0.7	47.0	0.62
48	44.7	0.7	46.8	0.55		
45						
θ(°)	47~82		47~82		48~82	

R: Load Radius W: Rated Lifting Capacities

RATED LIFTING CAPACITIES (JIB) CAPACITY B
 (Counterweight 6.8t, Outrigger width 7.2m) Unit: X 1000kg

Jib Length	45.0m Boom + 9.0m Jib						45.0m Boom + 14.0m Jib					
	5°		25°		45°		5°		25°		45°	
Boom Angle (°)	R (m)	W	R (m)	W	R (m)	W	R (m)	W	R (m)	W	R (m)	W
82	7.6	6.5	10.1	4.2	11.9	3.0	8.7	3.5	13.0	2.4	16.0	1.5
80	9.8	6.5	12.1	4.2	13.8	3.0	11.0	3.5	15.1	2.4	18.0	1.5
79	10.8	6.5	13.1	4.2	14.8	3.0	12.2	3.5	16.2	2.4	19.0	1.5
78	11.8	6.5	14.1	4.2	15.7	3.0	13.3	3.5	17.2	2.4	19.9	1.5
75	14.8	5.7	17.0	4.0	18.5	2.95	16.8	3.5	20.3	2.25	22.8	1.5
73	16.7	5.2	18.8	3.85	20.3	2.9	18.8	3.5	22.3	2.15	24.7	1.5
70	18.4	4.35	21.5	3.55	22.9	2.8	22.0	3.3	25.2	2.0	27.4	1.5
68	21.2	3.85	23.2	3.2	24.5	2.75	23.9	3.0	27.0	1.9	29.1	1.47
65	23.8	3.3	25.7	2.75	26.9	2.5	26.7	2.5	29.8	1.8	31.8	1.42
63	25.4	2.95	27.3	2.5	28.5	2.3	28.5	2.25	31.5	1.17	33.3	1.4
60	27.7	2.15	29.6	1.95	30.6	1.8	31.2	1.95	34.1	1.8	35.6	1.35
58	29.2	1.8	31.0	1.45	31.9	1.35	32.7	1.4	35.5	1.2	37.0	1.1
θ (°)	57-82		57-82		57-82		57-82		57-82		57-82	

Jib Length	45.0m Boom + 19.0m Jib					
	5°		25°		45°	
Boom Angle (°)	R (m)	W	R (m)	W	R (m)	W
82	10.1	2.5	15.7	1.1	20.1	0.7
80	12.7	2.5	18.0	1.1	22.1	0.7
79	13.9	2.5	19.1	1.1	23.2	0.7
78	15.1	2.45	20.3	1.1	24.2	0.7
75	18.5	2.1	23.5	1.0	27.1	0.68
73	20.7	1.9	25.6	0.97	29.1	0.67
70	24.1	1.7	28.7	0.91	31.9	0.66
68	28.2	1.55	30.7	0.88	33.7	0.65
65	29.3	1.4	33.6	0.84	36.3	0.64
63	31.3	1.3	35.5	0.81	37.9	0.63
60	34.3	1.2	38.2	0.78	40.3	0.62
58	36.2	1.15	39.9	0.76	41.3	0.62
θ (°)	57-82		57-82		57-82	

R: Load Radius W: Rated Lifting Capacities

RATED LIFTING CAPACITIES (JIB) CAPACITY C
 (Counterweight 14.0t, Outrigger width 6.36m) Unit: X 1000kg

Jib Length	45.0m Boom + 9.0m Jib						45.0m Boom + 14.0m Jib					
	5°		25°		45°		5°		25°		45°	
Jib Offset	R (m)	W	R (m)	W	R (m)	W	R (m)	W	R (m)	W	R (m)	W
82	7.6	6.5	10.1	4.2	11.9	3.0	8.7	3.5	13.0	2.4	16.0	1.5
80	9.8	6.5	12.1	4.2	13.8	3.0	11.0	3.5	15.1	2.4	18.0	1.5
79	10.8	6.5	13.1	4.2	14.8	3.0	12.2	3.5	16.2	2.4	19.0	1.5
78	11.9	6.5	14.1	4.2	15.7	3.0	13.3	3.5	17.2	2.4	19.9	1.5
75	14.8	5.7	17.0	4.0	18.5	2.95	16.6	3.5	20.3	2.25	22.8	1.5
73	16.7	5.2	18.8	3.85	20.3	2.9	18.6	3.5	22.3	2.15	24.7	1.5
70	19.4	4.35	21.5	3.55	22.9	2.8	22.0	3.3	25.2	2.0	27.4	1.5
68	21.2	3.85	23.2	3.2	24.5	2.75	23.9	3.0	27.0	1.9	29.1	1.47
65	23.8	3.3	25.7	2.75	26.9	2.5	26.7	2.5	29.8	1.8	31.6	1.42
63	26.4	2.95	27.3	2.5	28.5	2.3	28.5	2.25	31.5	1.75	33.3	1.4
60	27.9	2.55	29.7	2.2	30.7	2.05	31.2	1.95	34.1	1.6	35.6	1.35
58	29.4	2.2	31.2	2.0	32.1	1.85	32.8	1.75	35.6	1.45	37.1	1.34
55	31.5	1.45	33.2	1.3	34.0	1.25	35.2	1.3	37.9	1.2	39.1	1.1
53	32.9	1.05	34.5	0.9	35.2	0.85	36.7	0.9	39.2	0.75	40.3	0.7
50	34.9	0.5										
$\theta(^{\circ})$	49-82		52-82		52-82		52-82		52-82		52-82	

Jib Length	45.0m Boom + 19.0m Jib					
	5°		25°		45°	
Jib Offset	R (m)	W	R (m)	W	R (m)	W
82	10.1	2.5	15.7	1.1	20.1	0.7
80	12.7	2.5	18.0	1.1	22.1	0.7
79	13.9	2.5	19.1	1.1	23.2	0.7
78	15.1	2.45	20.3	1.1	24.2	0.7
75	18.5	2.1	23.5	1.0	27.1	0.68
73	20.7	1.9	25.6	0.97	29.1	0.67
70	24.1	1.7	28.7	0.91	31.9	0.66
68	26.2	1.55	30.7	0.88	33.7	0.65
65	29.3	1.4	33.6	0.84	36.3	0.64
63	31.3	1.3	35.5	0.81	37.9	0.63
60	34.3	1.2	38.2	0.78	40.3	0.62
58	36.2	1.15	39.9	0.76	41.8	0.62
55	38.0	1.05	42.4	0.73	44.0	0.62
53	40.6	0.8	44.0	0.68	45.4	0.60
50						
$\theta(^{\circ})$	52-82		52-82		52-82	

R: Load Radius W: Rated Lifting Capacities

RATED LIFTING CAPACITIES (JIB) CAPACITY D
 (Counterweight 6.8t, Outrigger width 6.36m) Unit: X 1000kg

Jib Length	45.0m Boom + 9.0m Jib						45.0m Boom + 14.0m Jib					
	5°		25°		45°		5°		25°		45°	
Boom Angle (°)	R (m)	W	R (m)	W	R (m)	W	R (m)	W	R (m)	W	R (m)	W
82	7.6	6.5	10.1	4.2	11.9	3.0	8.7	3.5	13.0	2.4	16.0	1.5
80	9.8	6.5	12.1	4.2	13.8	3.0	11.0	3.5	15.1	2.4	18.0	1.5
79	10.8	6.5	13.1	4.2	14.8	3.0	12.2	3.5	16.2	2.4	19.0	1.5
78	11.9	6.5	14.1	4.2	15.7	3.0	13.3	3.5	17.2	2.4	19.9	1.5
75	14.8	5.7	17.0	4.0	18.5	2.95	16.6	3.5	20.3	2.25	22.8	1.5
73	16.7	5.2	18.8	3.85	20.3	2.9	18.8	3.5	22.3	2.15	24.7	1.5
70	19.4	4.35	21.5	3.55	22.9	2.8	22.0	3.3	25.2	2.0	27.4	1.5
68	21.2	3.85	23.2	3.2	24.5	2.75	23.9	3.0	27.0	1.9	29.1	1.47
65	23.8	2.8	25.6	2.45	26.9	2.25	26.7	2.5	29.8	1.8	31.8	1.42
63	25.1	2.05	27.1	1.8	28.2	1.85	28.3	1.85	31.4	1.5	33.2	1.34
θ (°)	62-82		62-82		62-82		62-82		62-82		62-82	

Jib Length	45.0m Boom + 19.0m Jib					
	5°		25°		45°	
Boom Angle (°)	R (m)	W	R (m)	W	R (m)	W
82	10.1	2.5	15.7	1.1	20.1	0.7
80	12.7	2.5	18.0	1.1	22.1	0.7
79	13.9	2.5	19.1	1.1	23.2	0.7
78	15.1	2.45	20.3	1.1	24.2	0.7
75	18.5	2.1	23.5	1.0	27.1	0.68
73	20.7	1.9	25.6	0.97	29.1	0.67
70	24.1	1.7	28.7	0.91	31.9	0.66
68	26.2	1.55	30.7	0.88	33.7	0.65
65	29.3	1.4	33.6	0.84	36.3	0.64
63	31.3	1.3	35.5	0.81	37.9	0.63
θ (°)	62-82		62-82		62-82	

R: Load Radius W: Rated Lifting Capacities

RATED LIFTING CAPACITIES (JIB) CAPACITY E
 (Counterweight 14.0t, Outrigger width 4.9m) Unit: X 1000kg

Jib Length	45.0m, Boom + 9.0m Jib						45.0m Boom + 14.0m Jib					
	5°		25°		45°		5°		25°		45°	
Boom Angle (°)	R (m)	W	R (m)	W	R (m)	W	R (m)	W	R (m)	W	R (m)	W
82	7.6	6.5	10.1	4.2	11.9	3.0	8.7	3.5	13.0	2.4	16.0	1.5
80	9.8	6.5	12.1	4.2	13.8	3.0	11.0	3.5	15.1	2.4	18.0	1.5
79	10.8	6.5	13.1	4.2	14.8	3.0	12.2	3.5	16.2	2.4	19.0	1.5
78	11.9	6.5	14.1	4.2	15.7	3.0	13.3	3.5	17.2	2.4	19.9	1.5
75	14.8	5.7	17.0	4.0	18.5	2.95	16.6	3.5	20.3	2.25	22.8	1.5
73	16.7	5.2	18.8	3.85	20.3	2.9	18.6	3.5	22.3	2.15	24.7	1.5
70	19.4	4.35	21.5	3.55	22.9	2.8	22.0	3.3	25.2	2.0	27.4	1.5
68	21.2	3.85	23.2	3.2	24.5	2.75	23.9	3.0	27.0	1.9	29.1	1.47
65	23.5	2.55	25.5	2.25	26.8	2.05	26.6	2.3	29.8	1.8	31.6	1.42
63	25.0	1.85	27.0	1.8	28.2	1.45	28.2	1.65	31.3	1.35	33.2	1.20
θ (°)	62~82		62~82		62~82		62~82		62~82		62~82	

Jib Length	45.0m Boom + 19.0m Jib					
	5°		25°		45°	
Boom Angle (°)	R (m)	W	R (m)	W	R (m)	W
82	10.1	2.5	15.7	1.1	20.1	0.7
80	12.7	2.5	18.0	1.1	22.1	0.7
79	13.9	2.5	19.1	1.1	23.2	0.7
78	15.1	2.45	20.3	1.1	24.2	0.7
75	18.5	2.1	23.5	1.0	27.1	0.68
73	20.7	1.9	25.6	0.97	29.1	0.67
70	24.1	1.7	28.7	0.91	31.9	0.66
68	26.2	1.55	30.7	0.88	33.7	0.65
65	29.3	1.4	33.6	0.84	36.3	0.64
63	31.3	1.3	35.5	0.81		
θ (°)	62~82		62~82		64~82	

R: Load Radius W: Rated Lifting Capacities

RATED LIFTING CAPACITIES (JIB) CAPACITY F
 (Counterweight 6.8t, Outrigger width 4.9m) Unit: X 1000kg

Jib Length	45.0m Boom + 9.0m Jib						45.0m Boom + 14.0m Jib					
Jib Offset	5°		25°		45°		5°		25°		45°	
Boom Angle (°)	R (m)	W	R (m)	W	R (m)	W	R (m)	W	R (m)	W	R (m)	W
82	7.6	6.5	10.1	4.2	11.9	3.0	8.7	3.5	13.0	2.4	16.0	1.5
80	9.8	6.5	12.1	4.2	13.8	3.0	11.0	3.5	15.1	2.4	18.0	1.5
79	10.8	6.5	13.1	4.2	14.8	3.0	12.2	3.5	16.2	2.4	19.0	1.5
78	11.9	6.5	14.1	4.2	15.7	3.0	13.3	3.5	17.2	2.4	19.9	1.5
75	14.8	5.7	17.0	4.0	18.5	2.95	16.6	3.5	20.3	2.25	22.8	1.5
73	16.6	4.75	18.8	3.85	20.3	2.9	18.8	3.5	22.3	2.15	24.7	1.5
70	19.0	2.85	21.2	2.4	22.6	2.15	21.6	2.55	25.2	2.0	27.4	1.5
θ(°)	69-82		69-82		69-82		69-82		69-82		69-82	

Jib Length	45.0m Boom + 19.0m Jib					
Jib Offset	5°		25°		45°	
Boom Angle (°)	R (m)	W	R (m)	W	R (m)	W
82	10.1	2.5	15.7	1.1	20.1	0.7
80	12.7	2.5	18.0	1.1	22.1	0.7
79	13.9	2.5	19.1	1.1	23.2	0.7
78	15.1	2.45	20.8	1.1	24.2	0.7
75	18.5	2.1	23.5	1.0	27.1	0.68
73	20.7	1.9	25.6	0.97	29.1	0.67
70	24.1	1.7	28.7	0.91		
θ(°)	69-82		69-82		72-82	

R: Load Radius W: Rated Lifting Capacities

Precautions about the rated lifting capacity table

The rated lifting capacities are on the condition that the outriggers are set on firm level ground. Those above the blue line are based on the crane strength and those below it are based on the crane stability.

The rated lifting capacities include the weight of the hoisting accessories and hook (100t hook: 950kg, 45t hook: 530kg, 8.5t hook: 170kg).

The rated lifting capacities are based on the actual working radius including the boom deflection.

The performances of the rated lifting capacities are classified as shown in the table below.

Outrigger Extension Width	Counterweight		
	14.0t	6.8t	4.3t or 2.0t
7.2m	A	B	F*
6.36m	C	D	G*
4.9m	E	F	H*
3.6m	F*	G*	H*
2.48m	J*	J*	J*
Without Outriggers, backward (with swing lock)	J*	I*	J*
Without Outriggers	J*	J*	K*

The classification marked with * shows only the boom performance.

The standard number of parts of line of wire rope on the hook at each boom length is shown in the table below. The load per line is 63.7kN (6,500kgf) or less for both the main and auxiliary winches.

The number in brackets is for using attachment.

Boom Length	11.7m	20.0m	28.3m	36.7m	45.0m	Single top	Jib
Number of parts of line	(17) 13	7	5	4	4	1	1

The rated lifting capacities of the single top are equal to those of the boom, and the limit is 63.7kN (6,500kgf). However, if the boom is equipped with a hook, rigging and handling devices, etc. work at the rated lifting capacities determined by subtracting the weight of the equipped hook, rigging and handling devices, etc from the rated lifting capacities of the boom.

Operate the jib only according to the boom angle. The jib working radii are reference values with the jib mounted to a 45.0m boom.

β in the rated lifting capacity table shows the no-load boom elevation angle range.

Operate the jib in boom telescoping mode I.

Precautions for operating the crane without outriggers

The rated lifting capacities are on the condition that the crane is used on firm level ground. Those above the blue line are based on the crane strength and those below it are based on the crane stability. For actual use, take the ground, working and other conditions into consideration. (Air pressure of tires: 0.69MPa (7.00kgf/cm²))

The rated lifting capacities include the weight of the hoisting accessories and hook (45t hook: 530kg, 6.5t hook: 170kg)

The rated lifting capacities are based on the actual working radius including the boom and tire deflection.

When operating the crane without outriggers, do so with the vehicle height in the standard traveling condition and the suspensions locked.

The rated lifting capacities vary depending on whether the swing lock pin is inserted or not.

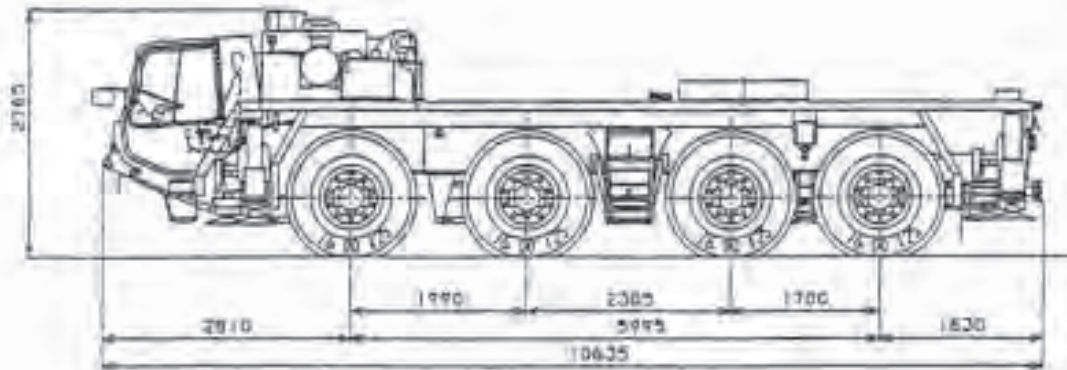
When operating the crane without outriggers, do so with the boom fully retracted. It cannot be done with the boom extended or the jib extended.

SPECIFICATIONS

Model	AR-1000M (Hydraulic all-terrain crane)
Capacity	100,000kg at 2.8m
Boom length	11.7m to 45.0m (5-section boom)
Jib length	9.0m to 19.0m (offset : 15° to 45°)
Single top length	0.65m (offset 20°)
Boom extension speed	33.3m / 85s
Boom elevation speed	- 2° to 82° / 45s
Single line speed:	
Main winch (high speed)	: 106m / min (at the 4th layer)
(low speed)	: 53m / min (at the 4th layer)
Aux. winch (high speed)	: 106m / min (at the 4th layer)
(low speed)	: 53m / min (at the 4th layer)
Swing speed	2.0r / min
Extension width of outriggers	fully : 7.2m, to middle : 6.36m, 4.9m, 3.6m
Front/rear interval of outriggers	8.59m
Outrigger float size	0.5m square
Tail swing radius	3.73m
Max. vertical load capacity of outrigger	80,000kg
Wire rope :	
Main winch	: 20mm dia. X245m length
Aux. winch	: 20mm dia. X 140m length

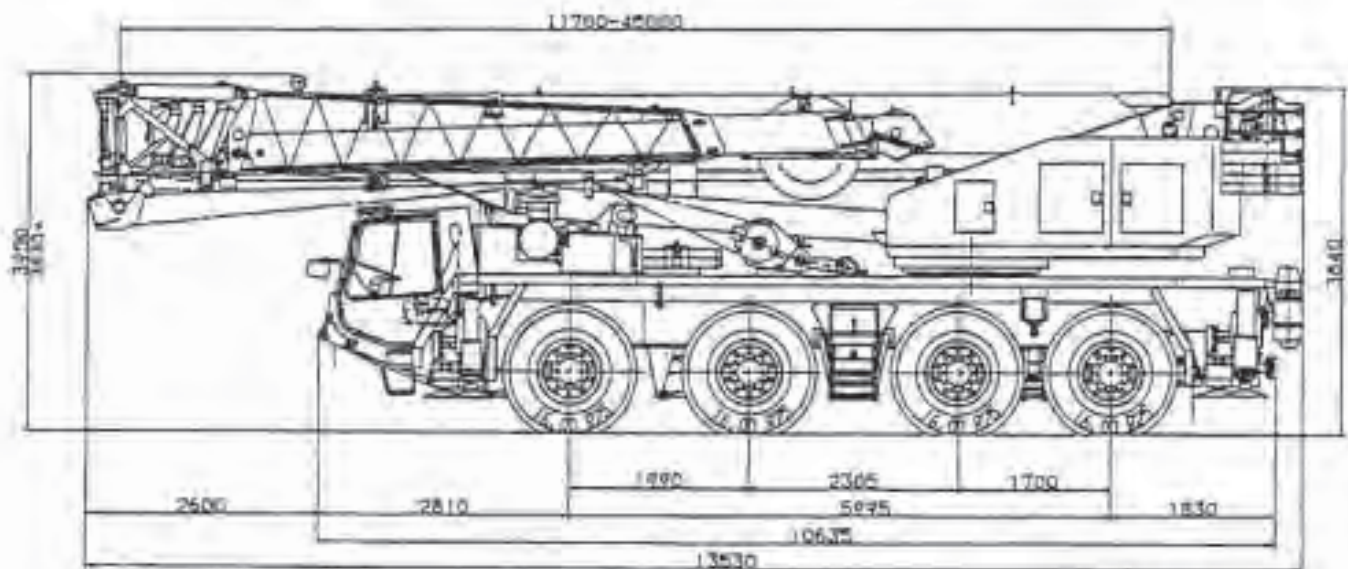
DIMENSIONS

Without Superstructure



Overall width 2780 mm
Tread (track) 2315 mm

With Superstructure



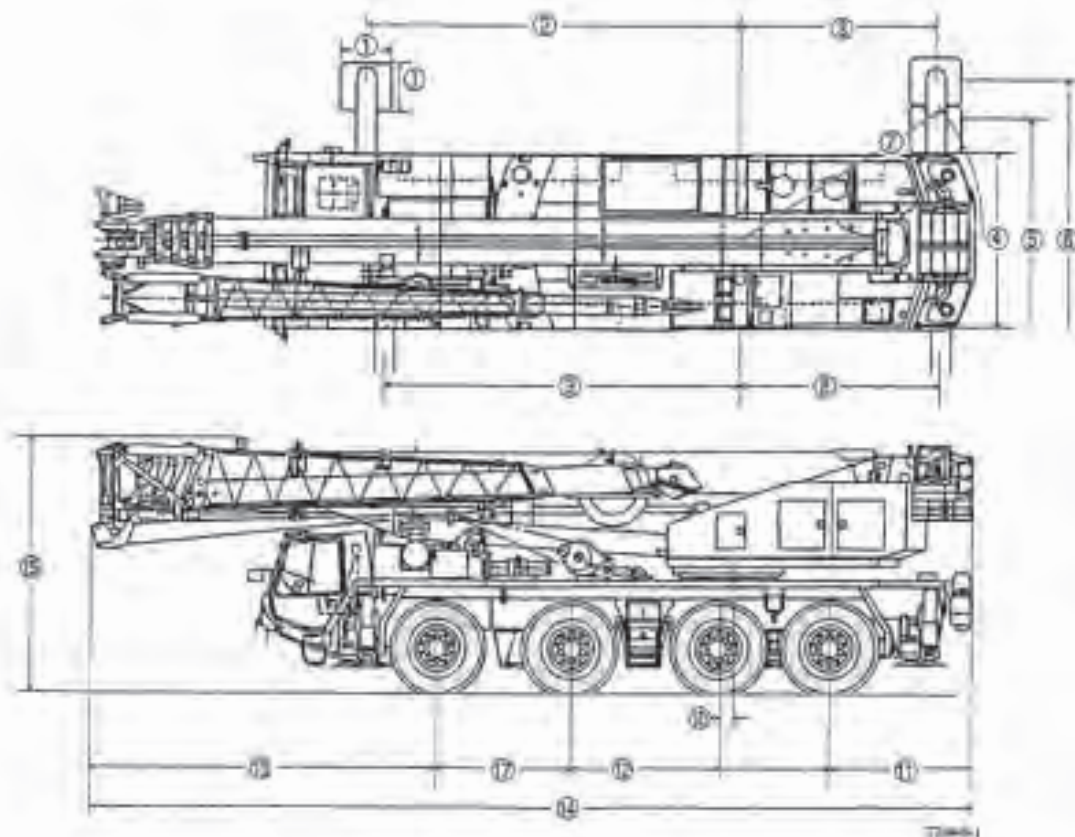
Tail swing radius 3,730 mm

* At suspension cylinder stroke: minimum

Overall Dimensions

Unit: mm

AR-1000M	90111		
①	500		
②	5,835		
③	2,755		
④ Overall width	3,000		
Half extension width(A)	3,500		
⑤ Half extension width(B)	4,900		
Half extension width(C)	6,360		
⑥ Max. extension width	7,200		
⑦	3,730		
⑧	3,045		
⑨	5,545		
⑩	145		
⑪	2,175		
⑫ Wheelbase	5,985		
⑬	5,410		
⑭ Overall length	13,530		
⑮ Overall height	3,950		



◆ The above figure shows the traveling configuration in the work site. The crane cannot travel on public roads in this configuration.