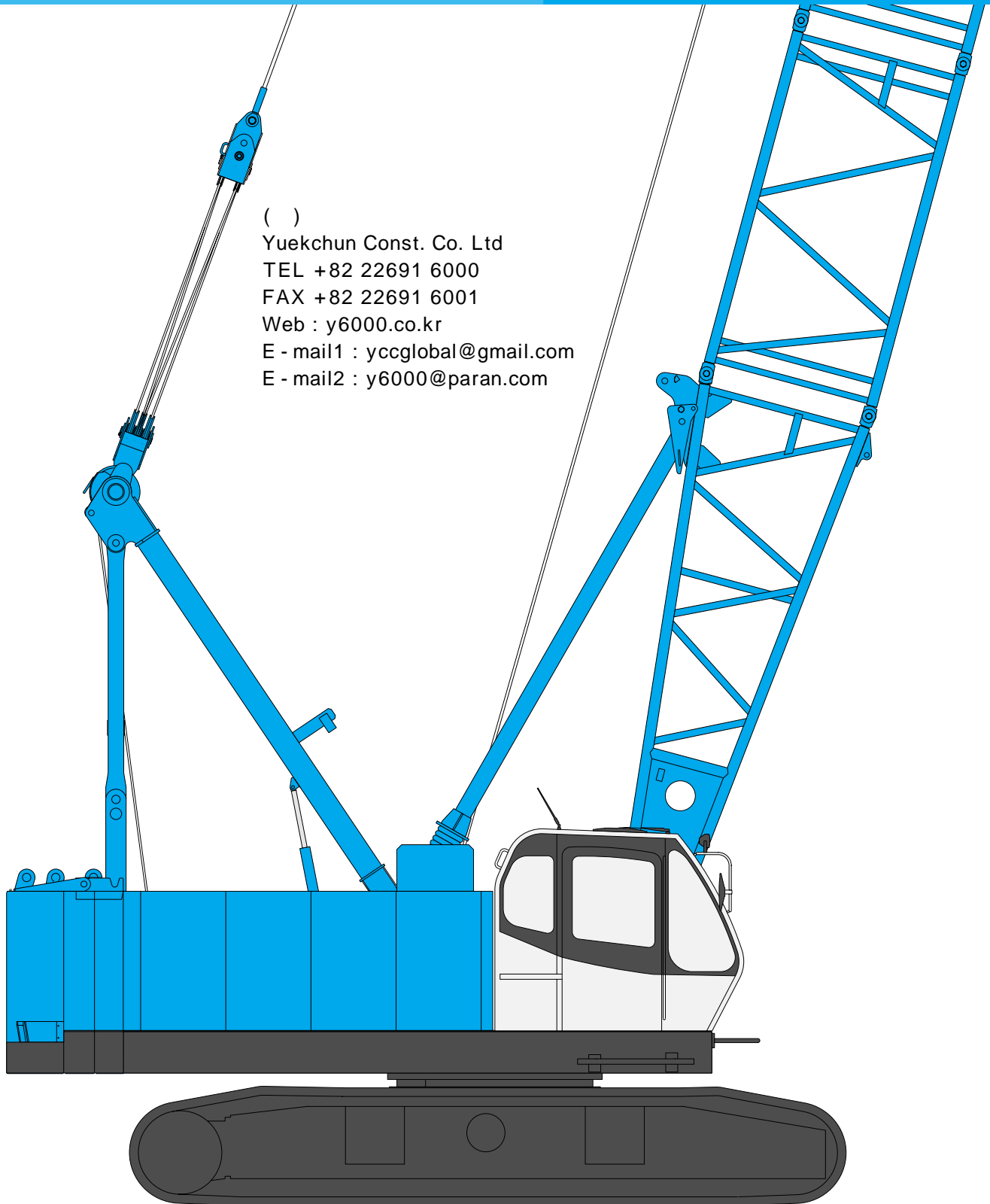


KOBELCO

HYDRAULIC CRAWLER CRANE

CKE700


Model: CKE700-1F

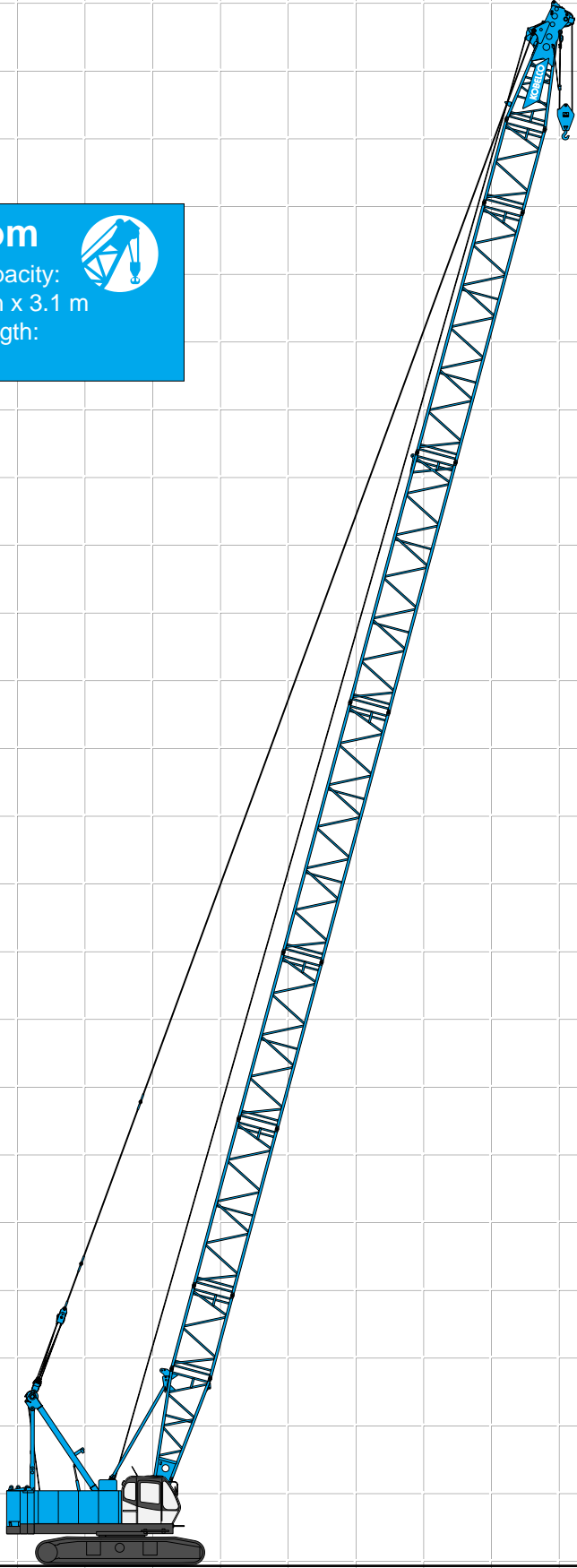


()
Yuekchun Const. Co. Ltd
TEL +82 22691 6000
FAX +82 22691 6001
Web : y6000.co.kr
E - mail1 : yccglobal@gmail.com
E - mail2 : y6000@paran.com

Max. Lifting Capacity: 70 t x 3.1 m
Max. Crane Boom Length: 54.9 m
Max. Fixed Jib Combination: 42.7 + 18.3 m
45.7 + 12.2 m

CONFIGURATION

Crane Boom 
Max. Lifting Capacity:
70 metric ton x 3.1 m
Max. Boom Length:
54.9 m



Fixed Jib

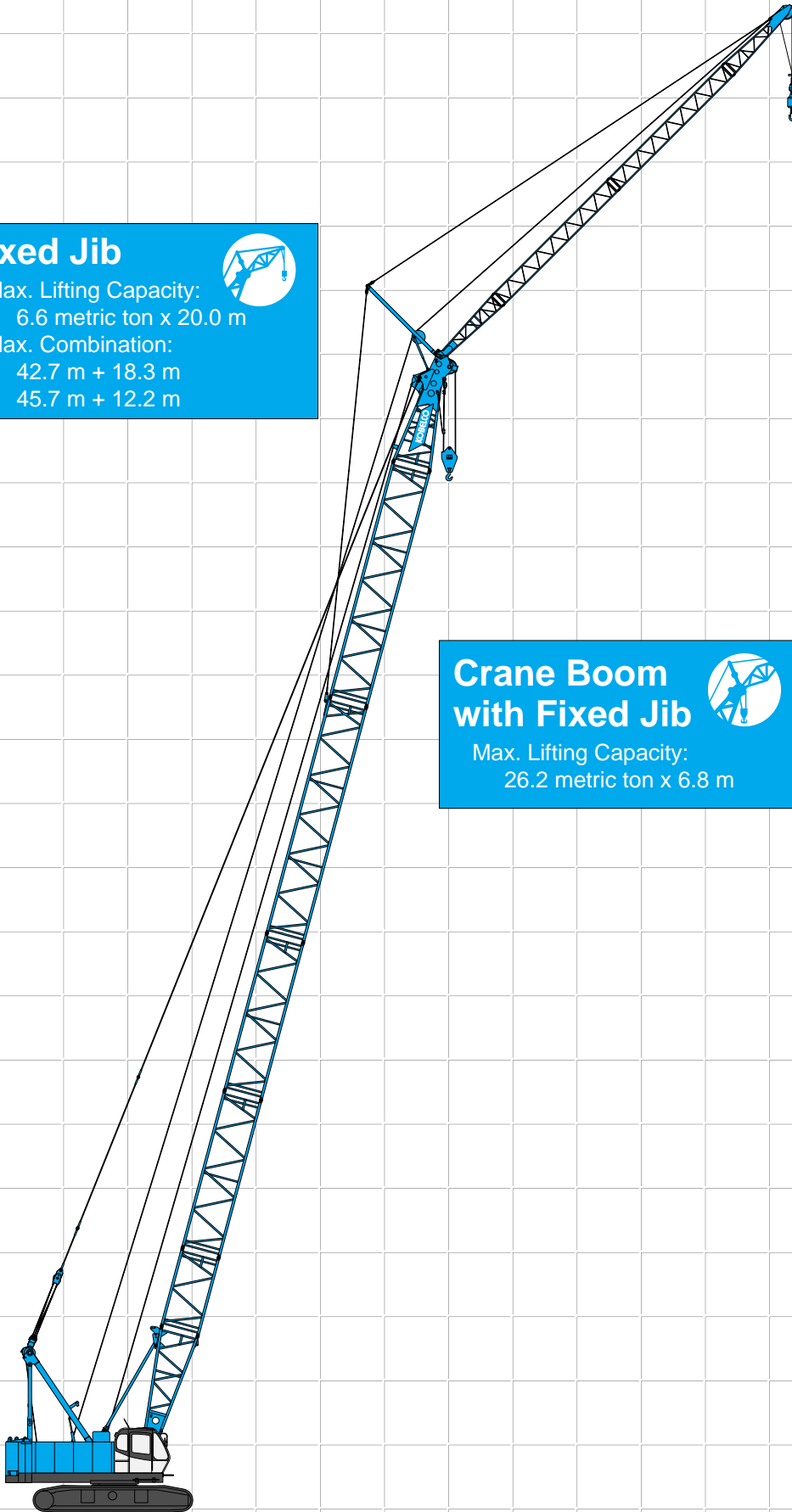


Max. Lifting Capacity:
6.6 metric ton x 20.0 m
Max. Combination:
42.7 m + 18.3 m
45.7 m + 12.2 m

Crane Boom with Fixed Jib



Max. Lifting Capacity:
26.2 metric ton x 6.8 m



CONTENTS

- Configuration 1
- Specifications 3
- General Dimensions 5
- Boom and Jib Arrangements
 - Crane Boom Arrangements 6
 - Fixed Jib Arrangements 6
- Working Ranges and Lifting Capacities
 - Crane Boom Working Ranges 8
 - Crane Boom Lifting Capacity 9
 - Auxiliary Sheave Lifting Capacity for Crane Boom 9
 - Fixed Jib Working Ranges 10
 - Fixed Jib Lifting Capacities 11
 - Crane Boom Lifting Capacity with Fixed Jib 13
- Parts and Attachments ... 14

SPECIFICATIONS



Power Plant

Model: Hino diesel engine J08E-TM
Type: Water-cooled, direct fuel injection, with turbocharger
Complies with NRMM (Europe) Stage IIIA and US EPA TierIII.
Displacement: 7.684 liters
Rated Power: 159 kW at 2,000 min⁻¹ {rpm} (ISO)
Max. torque: 797 N·m/1,600 min⁻¹
Cooling system: Liquid, recirculating bypass
Starter: 24 V/5.0 kW
Radiator: Corrugated type core, thermostatically controlled
Air cleaner: Dry type with replaceable paper element
Throttle: Electric throttle control, twist grip type
Fuel filter: Replaceable paper element
Batteries: Two 12V, 150 Ah/20 HR capacity batteries, series connected.
Fuel tank capacity: 400 liters



Hydraulic System

Three variable displacement piston pumps are driven by heavy-duty pump drive. Two of variable displacement pumps are used in the main hook hoist circuit, boom hoist circuit, auxiliary hook hoist circuit, third hoist circuit and each propel circuit. The other is used in the swing circuit.

Control: Full-flow hydraulic control system for infinitely variable pressure to front and rear drums, boom hoist brakes and clutches. Controls respond instantly to the touch, delivering smooth function operation.

Cooling: Oil-to-air heat exchanger (plate-fin type)

Filtration: Full-flow and bypass type with replaceable element

Electrical system: All wiring corded for easy servicing, individual fused branch circuits.

Max. relief valve pressure:

Load hoist, boom hoist and propel system:

31.9 MPa {325 kgf/cm²}

Swing system: 27.5 MPa {280 kgf/cm²}

Control system: 7.0 MPa {71 kgf/cm²}

Reservoir capacity: 440 liters



Boom Hoisting System

Powered by a hydraulic motor through a planetary reducer.

Brake: A spring-set, hydraulically released multiple-disc brake is mounted on the boom hoist motor and operated through a counter-balance valve.

Drum lock: External ratchet for locking drum.

Drum: Single drum, grooved for 16 mm dia. wire rope.

Line speed: Single line on first drum layer

Hoisting/Lowering: 70 to 2 m/min

Diameter of wire ropes

Boom guy line: 30 mm

Boom hoist reeving: 12 parts of 16 mm dia. high strength wire rope

Boom backstops: Required for all boom lengths



Load Hoist System

Front and rear drums for load hoist powered by a hydraulic variable plunger motors, driven through planetary reducers.

Negative Brake: A spring-set, hydraulically released multiple-disc brake is mounted on the hoist motor and operated through a counter-balance valve. (Positive free fall brake is optional item.)

Drum lock: External ratchet for locking drum.

Drums:

Front drum:

550 mm P.C.D. x 545 mm wide drum, grooved for 22 mm wire rope. Rope capacity is 220 m working length and 335 m storage length.

Rear drum:

550 mm P.C.D. x 545 mm wide drum, grooved for 22 mm wire rope. Rope capacity is 130 m working length and 335 m storage length.

Note: Rope lengths listed above denote drum capacity and may differ from actual rope lengths supplied when machinery is shipped.

Line speed: Single line on the first drum layer

Hoisting/Lowering: 120 to 3 m/min

Line Pull (Single-line):

Rated line pull: 69 kN {7.0 tf}



Swing System

Swing unit is powered by hydraulic motor driving spur gear through planetary reducer, the swing system provides 360° rotation.

Swing parking brakes: A spring-set, hydraulically released multiple-disc brake is mounted on swing motor.

Swing circle: Single-row ball bearing with an integral internally cut swing gear.

Swing lock: Manually, two position lock for transportation

Swing speed: 4.0 min⁻¹ {rpm}



Upper Structure

Torsion-free precision machined upper frame. All components are located clearly and service friendly. Engine with low noise level. Complies with EC Directive 2000/14/EC.

Counterweight: 22.6 ton



Cab & Control

Totally enclosed, full vision cab with safety glass, fully adjustable, high backed seat with a head-rest and armrests, and intermittent wiper and window washer (skylight and front window).

Cab fittings:

Air conditioner, convenient compartment (for tool), cup holder, ashtray, cigarette lighter, sun visor, roof blind, tinted glass, floor mat, foot-rest, shoe tray

Controls:

Four adjustable levers for front drum, rear drum, boom drum and swing controls, and boom hoist pedal.



Lower Structure

Steel-welded carbody with axles. Crawler assemblies can be hydraulically extended for wide-track operation or retracted for transportation. Crawler belt tension is maintained by hydraulic jack force on the track-adjusting bearing block.

Carbody weight: 3.1 ton

Crawler drive: Independent hydraulic propel drive is built into each crawler side frame. Each drive consists of a hydraulic motor propelling a driving tumbler through a planetary gear box. Hydraulic motor and gear box are built into the crawler side frame within the shoe width.

Crawler brakes: Spring-set, hydraulically released parking brakes are built into each propel drive.

Steering mechanism: A hydraulic propel system provides both skid steering (driving one track only) and counter-rotating steering (driving each track in opposite directions).

Track rollers: Sealed track rollers for maintenance-free operation.

Shoes (flat): 63 shoes, 800 mm wide each crawler

Max. travel speed: 1.9/1.2 km/h

Max. gradeability: 40%



Weight

Including upper and lower machine, 22.6 ton counterweight, and 3.1 ton cabody weight, basic boom (or basic jib), hook, and other accessories.

| Specification | Weight | Ground pressure |
|-------------------|-------------------|--------------------------------------|
| Crane boom | Approx. 67.1 ton, | 80.1 kPa {0.82 kgf/cm ² } |
| Fixed Jib | Approx. 70.1 ton, | 83.7 kPa {0.85 kgf/cm ² } |



Attachment

Boom and Jib:

Welded lattice construction using tubular, high-tensile steel chords with pin connections between sections.

Boom Jib Length

| | Min. Length (Min. Combination) | Max. Length (Max. Combination) |
|------------|-----------------------------------|------------------------------------|
| Crane Boom | 9.1 m | 54.9 m |
| Fixed Jib | 30.5 m + 6.1 m | 42.7 m + 18.3 m 45.7 m + 12.2 m |

Main Specifications (Model: CKE700-1F)

| Crane Boom | |
|-------------------------------|--|
| Max. Lifting Capacity | 70 t/3.1 m |
| Max. Length | 54.9 m |
| Fixed Jib | |
| Max. Lifting Capacity | 6.6 t/20.0 m |
| Max. Combination | 42.7 m + 18.3 m, 45.7 m + 12.2 m |
| Main & Aux. Winch | |
| Max. Line Speed | 120 m/min (1st layer) |
| Rated Line Pull (Single Line) | 69 kN {7.0 tf} |
| Wire Rope Diameter | 22 mm |
| Wire Rope Length | 220 m (Main) 130 m (Aux.) |
| Brake Type | Spring set hydraulically released (Negative) |
| Free-Fall Brake Type | Wet-type multiple disc brake (Optional) |
| Working Speed | |
| Swing Speed | 4.0 min ⁻¹ {rpm} |
| Travel Speed | 1.9/1.2 km/h |
| Power Plant | |
| Model | Hino J08E-TM |
| Engine Output (Gross) | 159 kW/2,000 min ⁻¹ {rpm} |
| Fuel Tank Capacity | 400 liters |

Hydraulic System

| | |
|-------------------------|-------------------------------------|
| Main Pumps | 3 variable displacement |
| Max. Pressure | 31.9 MPa {325 kgf/cm ² } |
| Hydraulic Tank Capacity | 440 liters |

Self-Removal Device

Standard counterweight removal

Weight

| | |
|--------------------|--------------------------------------|
| Operating Weight* | Approx. 67.1 t |
| Ground Pressure* | 80.1 kPa {0.82 kgf/cm ² } |
| Counterweight | 22.6 t (Upper), 3.1 t (Lower) |
| Transport Weight** | Approx. 40.8 t |

Units are SI units. { } indicates conventional units.

Line speeds in table are for light loads. Line speed varies with load.

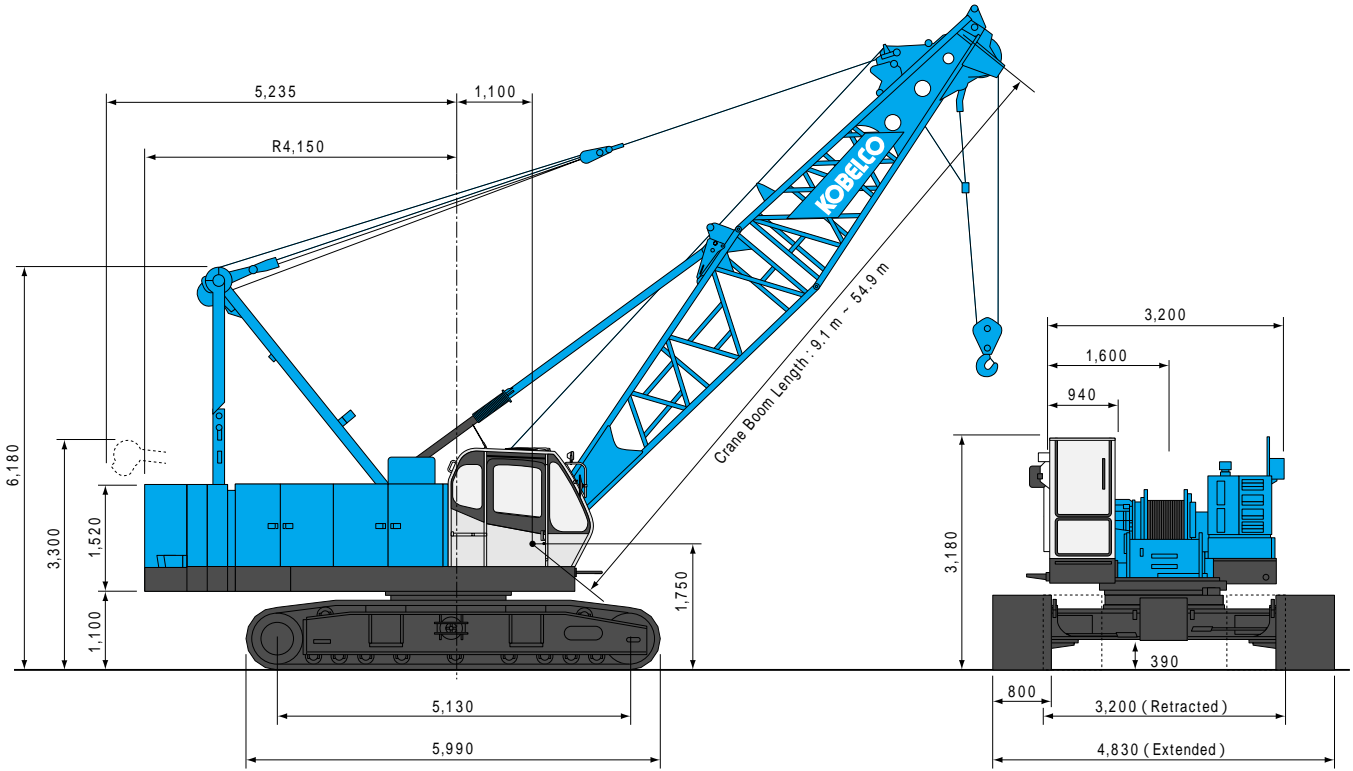
* Including upper and lower machine, crawler, 22.6 ton counterweight, 3.1 ton carbody weight, basic boom, hook, and other accessories.

** Base machine with gantry, boom base, crawlers, wire ropes for main and aux. winches, lower spreader and upper spreader (Refer to P14)

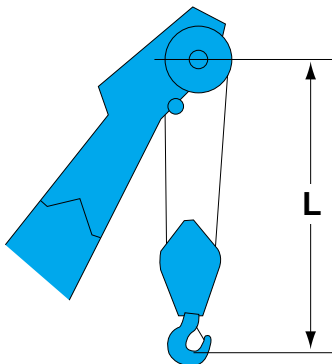
GENERAL DIMENSIONS

Crane Boom

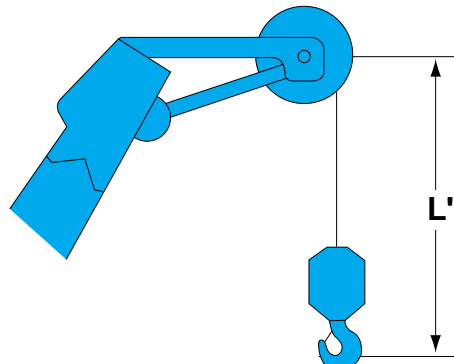
(Unit: mm)



Limit of Hook Lifting



| Hook | L |
|-----------|-------|
| 70 t hook | 4.4 m |
| 32 t hook | 4.2 m |
| 19 t hook | 4.1 m |



| Hook | L' |
|-----------------|-------|
| 6.6 t ball hook | 3.1 m |

BOOM AND JIB ARRANGEMENTS

Crane Boom Arrangements

| Boom length m (ft) | Boom arrangement |
|--------------------|------------------|
| 9.1 (30) | |
| 12.2 (40) | |
| 15.2 (50) | |
| 18.3 (60) | |
| 21.3 (70) | |
| 24.4 (80) | |
| 27.4 (90) | |
| 30.5 (100) | |
| 33.5 (110) | |

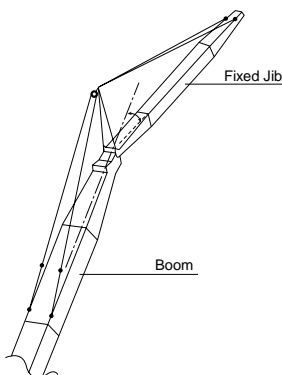
| Boom length m (ft) | Boom arrangement |
|--------------------|------------------|
| 36.6 (120) | |
| 39.6 (130) | |
| 42.7 (140) | |
| 45.7 (150) | |
| 48.8 (160) | |
| 51.8 (170) | |
| 54.9 (180) | |

| Symbol | Boom Length | Remarks |
|--------|-------------|----------------------|
| | 5.2 m | Boom Base |
| | 3.9 m | Boom Top |
| | 3.0 m | Insert Boom |
| | 6.1 m | Insert Boom |
| | 6.1 m | Insert Boom with lug |
| | 9.1 m | Insert Boom |
| | 9.1 m | Insert Boom with lug |

↗ mark shows the guy line installing position when the fixed jib is used.

※ mark shows the standard boom arrangement which enables each boom length of less than that boom length to be configured.

Fixed Jib Arrangements



| Crane boom length | Jib length m (ft) | Jib arrangement |
|-------------------|-------------------|-----------------|
| 30.5 m | 6.1 (20) | |
| | 12.2 (40) | |
| 45.7 m | 18.3 (60) | |

| Symbol | Jib Length | Remarks |
|--------|------------|------------|
| | 3.0 m | Jib Base |
| | 3.0 m | Jib Top |
| | 6.1 m | Insert Jib |



Hook Blocks

A range of hook blocks can be specified, each with a safety latch.

| Hooks | Weight (kg) | No. of sheaves | No. of lines and max. rated loads (tons) | | | | |
|-------------------|-------------|----------------|--|------|------|------|------|
| | | | 1 | 2 | 3 | 4 | 5 |
| 70-ton | 800 | 5 | - | - | 21.0 | 28.0 | 35.0 |
| 32-ton | 500 | 2 | - | 14.0 | 21.0 | 28.0 | 32.0 |
| 19-ton | 400 | 1 | - | 14.0 | 19.0 | - | - |
| 6.6-ton ball hook | 160 | 0 | 6.6 | - | - | - | - |

| Hooks | Weight (kg) | No. of sheaves | No. of lines and max. rated loads (tons) | | | | |
|-------------------|-------------|----------------|--|------|------|------|------|
| | | | 6 | 7 | 8 | 9 | 10 |
| 70-ton | 800 | 5 | 42.0 | 49.0 | 56.0 | 63.0 | 70.0 |
| 32-ton | 500 | 2 | - | - | - | - | - |
| 19-ton | 400 | 1 | - | - | - | - | - |
| 6.6-ton ball hook | 160 | 0 | - | - | - | - | - |

Symbols for Attachments:



Crane Boom

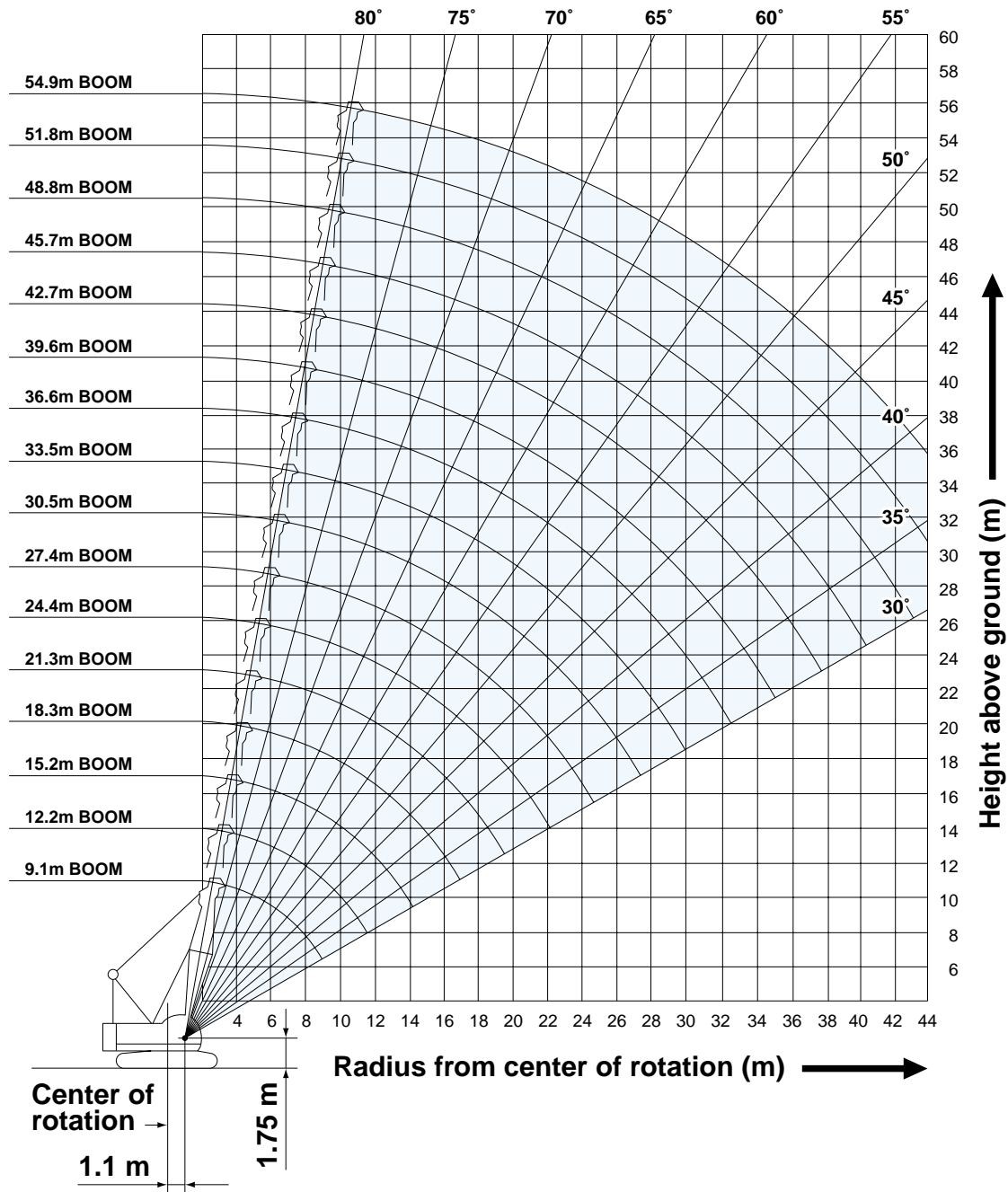
Auxiliary Sheave
for Crane Boom

Fixed Jib

Crane Boom
with Fixed Jib

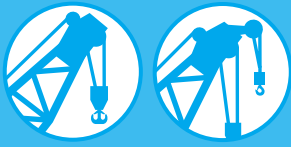
WORKING RANGES AND LIFTING CAPACITIES

Crane Boom Working Ranges



NOTES:

1. Ratings according to EN13000.
2. Ratings in metric tons for 360° working area.
3. Operating radius is the horizontal distance from center of rotation to a vertical line through the center of gravity of the load.
4. Weight of hook block (s), slings and other load handling accessories is included in rated load. Their total weight must be subtracted from rated load to obtain weight that can be lifted.
5. Ratings shown are based on freely suspended loads and make no allowance for such factors as wind effect on lifted load, ground conditions out-of-level, operating speeds or any other condition that could be detrimental to the safe operation of this equipment. Operator, therefore, has the responsibility to judge the existing conditions and reduce lifted loads and operating speeds accordingly.
6. Ratings are for operation on a firm and level surface, up to 1% gradient.
7. At radii and boom lengths where no ratings are shown on chart, operation is not intended nor approved.
8. Boom inserts and guy lines must be arranged as shown in the "Operator's Manual".
9. Boom hoist reeving is 12 part line.
10. Gantry must be in raised position for all conditions.
11. Boom backstops are required for all boom lengths.
12. Crawler frames must be fully extended for all crane operations.
13. Ratings shown in are determined by the strength of the boom or other structural component.
14. Instruction in the "Operator's Manual" must be strictly observed when operating the machine.
15. Crane boom ratings: Deduct weight of main hook block, slings, and all other load handling accessories from crane boom ratings shown.
16. Auxiliary sheave ratings for crane boom: Deduct weight of ball hook, slings, and all other load handling accessories from auxiliary sheave ratings for crane boom shown.
17. Crane boom lengths for auxiliary sheave mounting are 9.1 m to 51.8 m.



Crane Boom Lifting Capacity

Unit: metric ton

Counterweight: 22.6 t, Carbody weight: 3.1 t

| Working radius (m) | Boom Length (m) | | | | | | | | | | | | | | | | Working radius (m) |
|--------------------|-----------------|------------|------------|-----------|-----------|-----------|-----------|-----------|-----------|-----------|-----------|-----------|-----------|------|------------|------------|--------------------|
| | 9.1 | 12.2 | 15.2 | 18.3 | 21.3 | 24.4 | 27.4 | 30.5 | 33.5 | 36.6 | 39.6 | 42.7 | 45.7 | 48.8 | 51.8 | 54.9 | |
| 3.0 | 3.1m/70.0 | 3.6m/65.0 | | | | | | | | | | | | | | | 3.0 |
| 4.0 | 65.5 | 65.0 | 4.2m/61.8 | 4.7m/49.8 | | | | | | | | | | | | | 4.0 |
| 5.0 | 52.6 | 51.7 | 48.6 | 46.0 | 5.2m/41.7 | 5.7m/35.6 | | | | | | | | | | | 5.0 |
| 6.0 | 39.4 | 39.3 | 38.9 | 37.1 | 35.4 | 33.8 | 6.3m/31.0 | 6.8m/27.3 | | | | | | | | | 6.0 |
| 7.0 | 31.1 | 31.0 | 30.9 | 30.8 | 29.7 | 28.5 | 27.5 | 26.5 | 7.3m/24.4 | 7.9m/21.7 | | | | | | | 7.0 |
| 8.0 | 24.8 | 25.6 | 25.4 | 25.4 | 25.3 | 24.6 | 23.8 | 23.0 | 22.2 | 21.5 | 8.4m/19.7 | 8.9m/18.0 | | | | | 8.0 |
| 9.0 | 18.9 | 21.7 | 21.5 | 21.5 | 21.4 | 21.3 | 20.9 | 20.2 | 19.5 | 18.9 | 18.3 | 17.8 | 9.4m/16.4 | | | | 9.0 |
| 10.0 | 9.2m/17.7 | 18.8 | 18.7 | 18.6 | 18.5 | 18.4 | 18.3 | 18.0 | 17.4 | 16.9 | 16.3 | 15.9 | 15.4 | 14.9 | 10.5m/13.7 | 11.0m/12.6 | 10.0 |
| 12.0 | | 11.9m/13.7 | 14.6 | 14.5 | 14.4 | 14.3 | 14.2 | 14.2 | 14.0 | 13.8 | 13.3 | 13.0 | 12.6 | 12.2 | 11.8 | 11.5 | 12.0 |
| 14.0 | | | 12.0 | 11.9 | 11.7 | 11.6 | 11.5 | 11.5 | 11.3 | 11.3 | 11.1 | 10.9 | 10.5 | 10.2 | 9.8 | 9.6 | 14.0 |
| 16.0 | | | 14.5m/11.0 | 10.0 | 9.8 | 9.7 | 9.6 | 9.5 | 9.4 | 9.3 | 9.2 | 9.2 | 8.9 | 8.6 | 8.3 | 8.1 | 16.0 |
| 18.0 | | | | 17.1m/9.0 | 8.4 | 8.3 | 8.2 | 8.1 | 8.0 | 7.9 | 7.8 | 7.7 | 7.6 | 7.4 | 7.1 | 6.9 | 18.0 |
| 20.0 | | | | | 19.8m/7.4 | 7.2 | 7.1 | 7.0 | 6.8 | 6.8 | 6.6 | 6.6 | 6.5 | 6.4 | 6.1 | 6.0 | 20.0 |
| 22.0 | | | | | | 6.3 | 6.2 | 6.1 | 6.0 | 5.9 | 5.8 | 5.7 | 5.6 | 5.5 | 5.3 | 5.2 | 22.0 |
| 24.0 | | | | | | 22.4m/6.2 | 5.5 | 5.4 | 5.2 | 5.2 | 5.0 | 5.0 | 4.8 | 4.7 | 4.6 | 4.5 | 24.0 |
| 26.0 | | | | | | | 25.1m/5.1 | 4.8 | 4.6 | 4.6 | 4.4 | 4.4 | 4.2 | 4.1 | 4.0 | 3.9 | 26.0 |
| 28.0 | | | | | | | | 27.7m/4.3 | 4.1 | 4.1 | 3.9 | 3.8 | 3.7 | 3.6 | 3.5 | 3.3 | 28.0 |
| 30.0 | | | | | | | | | 3.7 | 3.6 | 3.5 | 3.4 | 3.3 | 3.1 | 3.0 | 2.9 | 30.0 |
| 32.0 | | | | | | | | | 30.3m/3.6 | 3.3 | 3.1 | 3.0 | 2.9 | 2.7 | 2.6 | 2.4 | 32.0 |
| 34.0 | | | | | | | | | | 33.0m/3.0 | 2.8 | 2.7 | 2.5 | 2.4 | 2.2 | 2.0 | 34.0 |
| 36.0 | | | | | | | | | | | 35.6m/2.4 | 2.4 | 2.2 | 2.1 | 1.8 | 1.7 | 36.0 |
| 38.0 | | | | | | | | | | | | 2.0 | 1.9 | 1.7 | 1.5 | 1.4 | 38.0 |
| 40.0 | | | | | | | | | | | | 38.3m/1.9 | 1.6 | 1.4 | 1.2 | 1.1 | 40.0 |
| 42.0 | | | | | | | | | | | | | 40.9m/1.4 | 1.2 | | | 42.0 |
| Reeves | 10 | 10 | 9 | 8 | 7 | 6 | 5 | 4 | 4 | 4 | 3 | 3 | 3 | 3 | 2 | 2 | Reeves |

Note:

Ratings according to EN13000.

Ratings shown in are determined by the strength of the boom or other structural components.

Refer to notes P8.

Auxiliary Sheave Lifting Capacity for Crane Boom (With 19t Main Hook)

Unit: metric ton

Counterweight: 22.6 t, Carbody weight: 3.1 t

| Working radius (m) | Boom Length (m) | | | | | | | | | | | | | | | | Working radius (m) |
|--------------------|-----------------|-----------|-----------|-----------|-----------|-----------|-----------|-----------|-----------|-----------|-----------|-----------|-----------|-----------|-----------|---|--------------------|
| | 9.1 | 12.2 | 15.2 | 18.3 | 21.3 | 24.4 | 27.4 | 30.5 | 33.5 | 36.6 | 39.6 | 42.7 | 45.7 | 48.8 | 51.8 | | |
| 3.0 | 3.8m/6.6 | | | | | | | | | | | | | | | | 3.0 |
| 4.0 | 6.6 | 4.3m/6.6 | 4.9m/6.6 | | | | | | | | | | | | | | 4.0 |
| 5.0 | 6.6 | 6.6 | 6.6 | 5.4m/6.6 | 5.9m/6.6 | | | | | | | | | | | | 5.0 |
| 6.0 | 6.6 | 6.6 | 6.6 | 6.6 | 6.6 | 6.4m/6.6 | | | | | | | | | | | 6.0 |
| 7.0 | 6.6 | 6.6 | 6.6 | 6.6 | 6.6 | 6.6 | 6.6 | 7.5m/6.6 | | | | | | | | | 7.0 |
| 8.0 | 6.6 | 6.6 | 6.6 | 6.6 | 6.6 | 6.6 | 6.6 | 6.6 | 6.6 | 8.6m/6.6 | | | | | | | 8.0 |
| 9.0 | 6.6 | 6.6 | 6.6 | 6.6 | 6.6 | 6.6 | 6.6 | 6.6 | 6.6 | 6.6 | 9.1m/6.6 | 9.6m/6.6 | | | | | 9.0 |
| 10.0 | 9.2m/6.6 | 6.6 | 6.6 | 6.6 | 6.6 | 6.6 | 6.6 | 6.6 | 6.6 | 6.6 | 6.6 | 6.6 | 10.1m/6.6 | 10.7m/6.6 | 11.2m/6.6 | | 10.0 |
| 12.0 | | 11.9m/6.6 | 6.6 | 6.6 | 6.6 | 6.6 | 6.6 | 6.6 | 6.6 | 6.6 | 6.6 | 6.6 | 6.6 | 6.6 | 6.6 | | 12.0 |
| 14.0 | | | 6.6 | 6.6 | 6.6 | 6.6 | 6.6 | 6.6 | 6.6 | 6.6 | 6.6 | 6.6 | 6.6 | 6.6 | 6.6 | | 14.0 |
| 16.0 | | | 14.5m/6.6 | 6.6 | 6.6 | 6.6 | 6.6 | 6.6 | 6.6 | 6.6 | 6.6 | 6.6 | 6.6 | 6.6 | 6.6 | | 16.0 |
| 18.0 | | | | 17.1m/6.6 | 6.6 | 6.6 | 6.6 | 6.6 | 6.6 | 6.6 | 6.6 | 6.6 | 6.6 | 6.6 | 6.4 | | 18.0 |
| 20.0 | | | | | 19.8m/6.6 | 6.5 | 6.4 | 6.3 | 6.1 | 6.1 | 5.9 | 5.9 | 5.8 | 5.7 | 5.4 | | 20.0 |
| 22.0 | | | | | | 5.6 | 5.5 | 5.4 | 5.3 | 5.2 | 5.1 | 5.0 | 4.9 | 4.8 | 4.6 | | 22.0 |
| 24.0 | | | | | | 22.4m/5.5 | 4.8 | 4.7 | 4.5 | 4.5 | 4.3 | 4.3 | 4.1 | 4.0 | 3.9 | | 24.0 |
| 26.0 | | | | | | | 25.1m/4.4 | 4.1 | 3.9 | 3.9 | 3.7 | 3.7 | 3.5 | 3.4 | 3.3 | | 26.0 |
| 28.0 | | | | | | | | 27.7m/3.6 | 3.4 | 3.4 | 3.2 | 3.1 | 3.0 | 2.9 | 2.8 | | 28.0 |
| 30.0 | | | | | | | | | 3.0 | 2.9 | 2.8 | 2.7 | 2.6 | 2.4 | 2.3 | | 30.0 |
| 32.0 | | | | | | | | | 30.3m/2.9 | 2.6 | 2.4 | 2.3 | 2.2 | 2.0 | 1.9 | | 32.0 |
| 34.0 | | | | | | | | | | 33.0m/2.3 | 2.1 | 2.0 | 1.8 | 1.7 | 1.5 | | 34.0 |
| 36.0 | | | | | | | | | | | 35.6m/1.7 | 1.7 | 1.5 | 1.4 | 1.1 | | 36.0 |
| 38.0 | | | | | | | | | | | | 1.3 | 1.2 | | | | 38.0 |
| 40.0 | | | | | | | | | | | | 38.3m/1.2 | | | | | 40.0 |
| Reeves | 1 | 1 | 1 | 1 | 1 | 1 | 1 | 1 | 1 | 1 | 1 | 1 | 1 | 1 | 1 | 1 | Reeves |

Note:

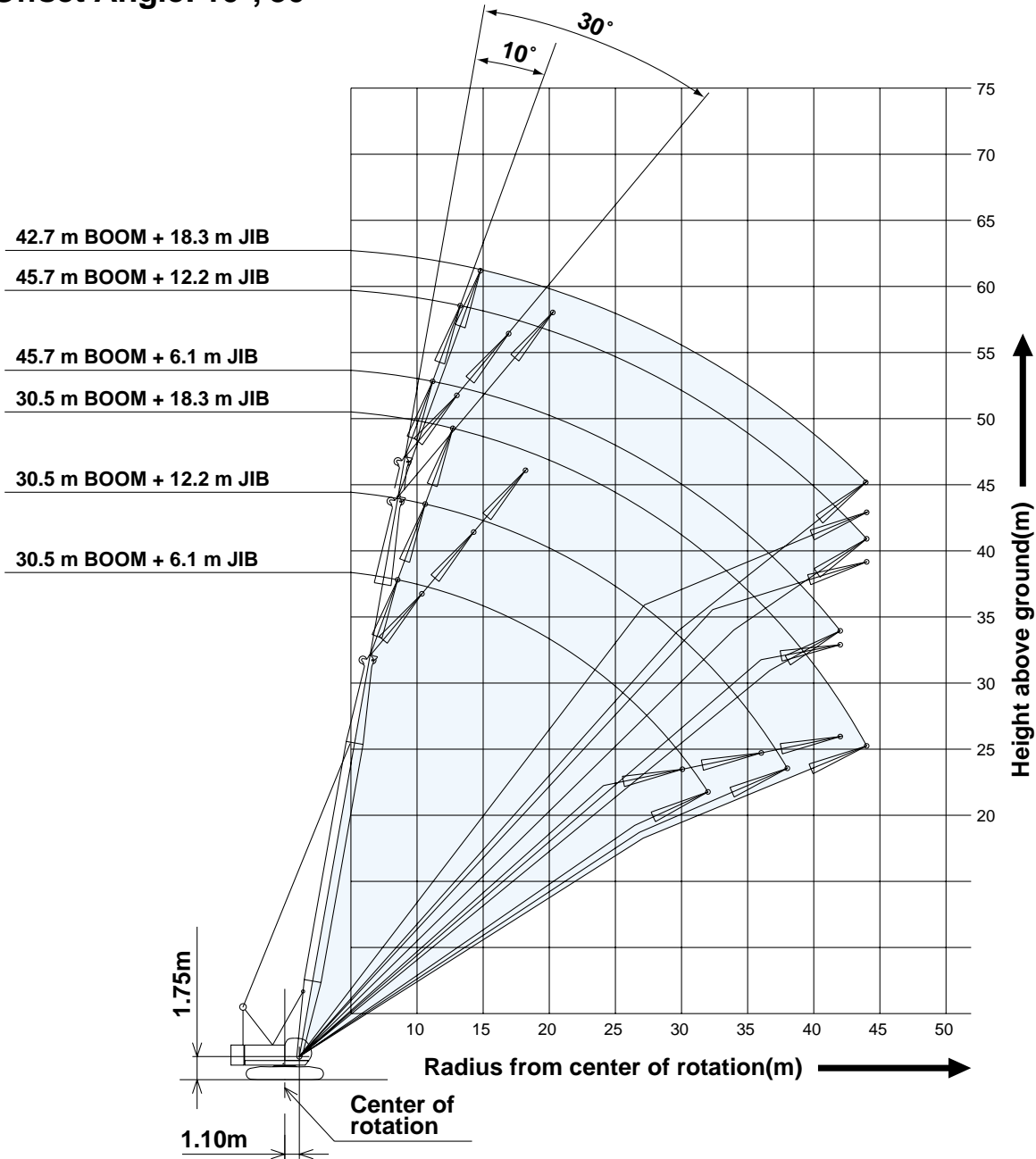
Ratings according to EN13000.

Ratings shown in are determined by the strength of the boom or other structural components.

Refer to notes P8.

Fixed Jib Working Ranges

Jib Offset Angle: 10°, 30°



NOTES:

1. Ratings according to EN13000.
2. Ratings in metric tons for 360° working area.
3. Operating radius is the horizontal distance from center of rotation to a vertical line through the center of gravity of the load.
4. Weight of hook block (s), slings and other load handling accessories is included in rated load. Their total weight must be subtracted from rated load to obtain weight that can be lifted.
5. Ratings shown are based on freely suspended loads and make no allowance for such factors as wind effect on lifted load, ground conditions out-of-level, operating speeds or any other condition that could be detrimental to the safe operation of this equipment. Operator, therefore, has the responsibility to judge the existing conditions and reduce lifted loads and operating speeds accordingly.
6. Ratings are for operation on a firm and level surface, up to 1% gradient.
7. At radii and boom lengths where no ratings are shown on chart, operation is not intended nor approved.
8. Boom/ jib inserts and guy lines must be arranged as shown in the "Operator's Manual".
9. Boom hoist reeving is 12 part line.
10. Gantry must be in raised position for all conditions.
11. Boom backstops are required for all boom lengths.
12. Crawler frames must be fully extended for all crane operations.
13. Ratings shown in are determined by the strength of the boom or other structural component.
14. Instruction in the "Operator's Manual" must be strictly observed when operating the machine.
15. Fixed jib ratings: Deduct weight of jib hook block, slings, and all other load handling accessories from fixed jib ratings shown.
16. Crane boom lengths for jib mounting are 30.5 m to 45.7 m.
17. Crane boom ratings with fixed jib: Deduct weight of jib hook block, slings, and all other load handling accessories from crane boom ratings with fixed jib shown.



Fixed Jib Lifting Capacities (Without Main Hook)

Unit: metric ton

Jib Offset Angle: 10°

Counterweight: 22.6 t, Carbody weight: 3.1 t

| Boom length (m) | 30.5 | | | 33.5 | | | 36.6 | | | 39.6 | | | Boom length (m) | |
|--------------------|------|------|------|------|------|------|------|------|------|------|------|------|-----------------|------|
| Jib length (m) | 6.1 | 12.2 | 18.3 | 6.1 | 12.2 | 18.3 | 6.1 | 12.2 | 18.3 | 6.1 | 12.2 | 18.3 | Jib length (m) | |
| Working radius (m) | 9.0 | 6.6 | | 6.6 | | | | | | | | | 9.0 | |
| | 10.0 | 6.6 | | 6.6 | | | 6.6 | | | 6.6 | | | 10.0 | |
| | 12.0 | 6.6 | 6.6 | 4.5 | 6.6 | 6.6 | | 6.6 | 6.6 | | 6.6 | | | 12.0 |
| | 14.0 | 6.6 | 6.6 | 4.5 | 6.6 | 6.6 | 4.5 | 6.6 | 6.6 | 4.5 | 6.6 | 6.6 | 4.5 | 14.0 |
| | 16.0 | 6.6 | 6.6 | 4.5 | 6.6 | 6.6 | 4.5 | 6.6 | 6.6 | 4.5 | 6.6 | 6.6 | 4.5 | 16.0 |
| | 18.0 | 6.6 | 6.6 | 4.5 | 6.6 | 6.6 | 4.5 | 6.6 | 6.6 | 4.5 | 6.6 | 6.6 | 4.5 | 18.0 |
| | 20.0 | 6.6 | 6.6 | 4.5 | 6.6 | 6.6 | 4.5 | 6.6 | 6.6 | 4.5 | 6.6 | 6.6 | 4.5 | 20.0 |
| | 22.0 | 6.1 | 6.4 | 4.5 | 6.0 | 6.2 | 4.5 | 5.9 | 6.2 | 4.5 | 5.8 | 6.0 | 4.5 | 22.0 |
| | 24.0 | 5.4 | 5.6 | 4.5 | 5.2 | 5.5 | 4.5 | 5.1 | 5.4 | 4.5 | 5.0 | 5.3 | 4.5 | 24.0 |
| | 26.0 | 4.7 | 5.0 | 4.5 | 4.6 | 4.8 | 4.5 | 4.5 | 4.8 | 4.5 | 4.4 | 4.6 | 4.5 | 26.0 |
| | 28.0 | 4.2 | 4.4 | 4.5 | 4.1 | 4.3 | 4.4 | 4.0 | 4.2 | 4.3 | 3.9 | 4.1 | 4.2 | 28.0 |
| | 30.0 | 3.8 | 4.0 | 4.1 | 3.6 | 3.8 | 3.9 | 3.5 | 3.7 | 3.9 | 3.4 | 3.6 | 3.7 | 30.0 |
| | 32.0 | 3.4 | 3.6 | 3.7 | 3.2 | 3.4 | 3.5 | 3.1 | 3.3 | 3.5 | 3.0 | 3.2 | 3.3 | 32.0 |
| | 34.0 | | 3.2 | 3.3 | 2.9 | 3.1 | 3.2 | 2.8 | 3.0 | 3.1 | 2.6 | 2.9 | 3.0 | 34.0 |
| | 36.0 | | 2.9 | 3.0 | 2.6 | 2.8 | 2.9 | 2.5 | 2.7 | 2.8 | 2.3 | 2.5 | 2.7 | 36.0 |
| | 38.0 | | 2.6 | 2.8 | | 2.5 | 2.6 | 2.2 | 2.4 | 2.5 | 2.0 | 2.2 | 2.4 | 38.0 |
| | 40.0 | | | 2.5 | | 2.3 | 2.4 | | 2.1 | 2.3 | 1.7 | 1.9 | 2.1 | 40.0 |
| 42.0 | | | 2.3 | | 2.0 | 2.1 | | 1.9 | 2.0 | | 1.7 | 1.8 | 42.0 | |
| 44.0 | | | 2.1 | | | 1.9 | | 1.6 | 1.8 | | 1.4 | 1.6 | 44.0 | |
| Reeves | 1 | 1 | 1 | 1 | 1 | 1 | 1 | 1 | 1 | 1 | 1 | 1 | Reeves | |

| Boom length (m) | 42.7 | | | 45.7 | | Boom length (m) | |
|--------------------|------|------|------|------|------|-----------------|------|
| Jib length (m) | 6.1 | 12.2 | 18.3 | 6.1 | 12.2 | Jib length (m) | |
| Working radius (m) | 12.0 | 6.6 | | 6.6 | | 12.0 | |
| | 14.0 | 6.6 | 6.6 | 4.5 | 6.6 | 6.6 | 14.0 |
| | 16.0 | 6.6 | 6.6 | 4.5 | 6.6 | 6.6 | 16.0 |
| | 18.0 | 6.6 | 6.6 | 4.5 | 6.6 | 6.6 | 18.0 |
| | 20.0 | 6.6 | 6.6 | 4.5 | 6.5 | 6.6 | 20.0 |
| | 22.0 | 5.7 | 6.0 | 4.5 | 5.6 | 5.8 | 22.0 |
| | 24.0 | 4.9 | 5.2 | 4.5 | 4.8 | 5.1 | 24.0 |
| | 26.0 | 4.3 | 4.5 | 4.5 | 4.2 | 4.4 | 26.0 |
| | 28.0 | 3.8 | 4.0 | 4.1 | 3.6 | 3.9 | 28.0 |
| | 30.0 | 3.3 | 3.5 | 3.6 | 3.2 | 3.4 | 30.0 |
| | 32.0 | 2.9 | 3.1 | 3.2 | 2.7 | 3.0 | 32.0 |
| | 34.0 | 2.5 | 2.8 | 2.9 | 2.3 | 2.6 | 34.0 |
| | 36.0 | 2.2 | 2.4 | 2.6 | 2.0 | 2.2 | 36.0 |
| | 38.0 | 1.8 | 2.1 | 2.2 | 1.6 | 1.9 | 38.0 |
| | 40.0 | 1.6 | 1.8 | 2.0 | 1.4 | 1.6 | 40.0 |
| 42.0 | 1.3 | 1.6 | 1.7 | 1.1 | 1.4 | 42.0 | |
| 44.0 | 1.1 | 1.3 | 1.5 | | 1.1 | 44.0 | |
| Reeves | 1 | 1 | 1 | 1 | 1 | Reeves | |

Note:
 Ratings according to EN13000.
 Ratings shown in are determined by the strength of the boom or other structural components.
 Refer to notes P10.

Jib Offset Angle: 30°

Unit: metric ton

Counterweight: 22.6 t, Carbody weight: 3.1 t

| Boom length (m) | 30.5 | | | 33.5 | | | 36.6 | | | 39.6 | | | Boom length (m) |
|-----------------|------|------|------|------|------|------|------|------|------|------|------|------|-----------------|
| Jib length (m) | 6.1 | 12.2 | 18.3 | 6.1 | 12.2 | 18.3 | 6.1 | 12.2 | 18.3 | 6.1 | 12.2 | 18.3 | Jib length (m) |
| 12.0 | 6.6 | | | 6.6 | | | 6.6 | | | 6.6 | | | 12.0 |
| 14.0 | 6.6 | | | 6.6 | | | 6.6 | | | 6.6 | | | 14.0 |
| 16.0 | 6.6 | 5.0 | | 6.6 | 5.0 | | 6.6 | 5.0 | | 6.6 | 5.0 | | 16.0 |
| 18.0 | 6.6 | 5.0 | 3.2 | 6.6 | 5.0 | 3.2 | 6.6 | 5.0 | | 6.6 | 5.0 | | 18.0 |
| 20.0 | 6.6 | 5.0 | 3.2 | 6.6 | 5.0 | 3.2 | 6.6 | 5.0 | 3.2 | 6.6 | 5.0 | 3.2 | 20.0 |
| 22.0 | 6.2 | 5.0 | 3.2 | 6.1 | 5.0 | 3.2 | 6.1 | 5.0 | 3.2 | 5.9 | 5.0 | 3.2 | 22.0 |
| 24.0 | 5.5 | 5.0 | 3.2 | 5.4 | 5.0 | 3.2 | 5.3 | 5.0 | 3.2 | 5.2 | 5.0 | 3.2 | 24.0 |
| 26.0 | 4.8 | 4.9 | 3.2 | 4.7 | 5.0 | 3.2 | 4.6 | 5.0 | 3.2 | 4.5 | 4.9 | 3.2 | 26.0 |
| 28.0 | 4.3 | 4.6 | 3.2 | 4.2 | 4.5 | 3.2 | 4.1 | 4.4 | 3.2 | 4.0 | 4.3 | 3.2 | 28.0 |
| 30.0 | 3.8 | 4.1 | 3.1 | 3.7 | 4.0 | 3.2 | 3.6 | 3.9 | 3.2 | 3.5 | 3.8 | 3.2 | 30.0 |
| 32.0 | | 3.7 | 3.0 | 3.3 | 3.6 | 3.0 | 3.2 | 3.5 | 3.1 | 3.1 | 3.4 | 3.2 | 32.0 |
| 34.0 | | 3.3 | 2.8 | | 3.2 | 2.9 | 2.9 | 3.1 | 3.0 | 2.7 | 3.0 | 3.1 | 34.0 |
| 36.0 | | 3.0 | 2.7 | | 2.9 | 2.8 | | 2.8 | 2.9 | 2.3 | 2.7 | 2.9 | 36.0 |
| 38.0 | | | 2.6 | | 2.6 | 2.7 | | 2.5 | 2.7 | 2.0 | 2.4 | 2.6 | 38.0 |
| 40.0 | | | 2.5 | | | 2.5 | | 2.2 | 2.5 | | 2.1 | 2.3 | 40.0 |
| 42.0 | | | 2.4 | | | 2.3 | | | 2.2 | | 1.8 | 2.1 | 42.0 |
| 44.0 | | | | | | 2.1 | | | | 2.0 | 1.5 | 1.8 | 44.0 |
| Reeves | 1 | 1 | 1 | 1 | 1 | 1 | 1 | 1 | 1 | 1 | 1 | 1 | Reeves |

| Boom length (m) | 42.7 | | | 45.7 | | Boom length (m) |
|-----------------|------|------|------|------|------|-----------------|
| Jib length (m) | 6.1 | 12.2 | 18.3 | 6.1 | 12.2 | Jib length (m) |
| 14.0 | 6.6 | | | 6.6 | | 14.0 |
| 16.0 | 6.6 | | | 6.6 | | 16.0 |
| 18.0 | 6.6 | 5.0 | | 6.6 | 5.0 | 18.0 |
| 20.0 | 6.6 | 5.0 | 3.2 | 6.6 | 5.0 | 20.0 |
| 22.0 | 5.9 | 5.0 | 3.2 | 5.8 | 5.0 | 22.0 |
| 24.0 | 5.1 | 5.0 | 3.2 | 5.0 | 5.0 | 24.0 |
| 26.0 | 4.4 | 4.8 | 3.2 | 4.3 | 4.7 | 26.0 |
| 28.0 | 3.9 | 4.3 | 3.2 | 3.8 | 4.2 | 28.0 |
| 30.0 | 3.4 | 3.8 | 3.2 | 3.3 | 3.7 | 30.0 |
| 32.0 | 3.0 | 3.3 | 3.2 | 2.9 | 3.2 | 32.0 |
| 34.0 | 2.6 | 3.0 | 3.2 | 2.4 | 2.9 | 34.0 |
| 36.0 | 2.2 | 2.6 | 2.8 | 2.1 | 2.5 | 36.0 |
| 38.0 | 1.9 | 2.3 | 2.5 | 1.7 | 2.1 | 38.0 |
| 40.0 | 1.6 | 2.0 | 2.3 | 1.4 | 1.8 | 40.0 |
| 42.0 | | 1.7 | 2.0 | 1.2 | 1.5 | 42.0 |
| 44.0 | | 1.4 | 1.7 | | 1.3 | 44.0 |
| Reeves | 1 | 1 | 1 | 1 | 1 | Reeves |

Note:

Ratings according to EN13000.

Ratings shown in are determined by the strength of the boom or other structural components.

Refer to notes P10.



Crane Boom Lifting Capacity with Fixed Jib

Unit: metric ton

Counterweight: 22.6 t, Carbody weight: 3.1 t

| Boom length (m) | 30.5 | | | 33.5 | | | 36.6 | | | 39.6 | | | Boom length (m) | |
|--------------------|------|-----------|-----------|-----------|-----------|-----------|-----------|-----------|-----------|-----------|-----------|-----------|-----------------|------|
| Jib length (m) | 6.1 | 12.2 | 18.3 | 6.1 | 12.2 | 18.3 | 6.1 | 12.2 | 18.3 | 6.1 | 12.2 | 18.3 | Jib length (m) | |
| Working radius (m) | 6.0 | 6.8m/26.2 | 6.8m/25.7 | 6.8m/25.2 | | | | | | | | | 6.0 | |
| | 7.0 | 25.4 | 24.9 | 24.4 | 7.3m/23.3 | 7.3m/22.8 | 7.3m/22.3 | 7.9m/20.6 | 7.9m/20.1 | 7.9m/19.6 | | | 7.0 | |
| | 8.0 | 21.9 | 21.4 | 20.9 | 21.1 | 20.6 | 20.1 | 20.4 | 19.9 | 19.4 | 8.4m/18.6 | 8.4m/18.1 | 8.4m/17.6 | 8.0 |
| | 9.0 | 19.1 | 18.6 | 18.1 | 18.4 | 17.9 | 17.4 | 17.8 | 17.3 | 16.8 | 17.2 | 16.7 | 16.2 | 9.0 |
| | 10.0 | 16.9 | 16.4 | 15.9 | 16.3 | 15.8 | 15.3 | 15.8 | 15.3 | 14.8 | 15.2 | 14.7 | 14.2 | 10.0 |
| | 12.0 | 13.1 | 12.6 | 12.1 | 12.9 | 12.4 | 11.9 | 12.7 | 12.2 | 11.7 | 12.2 | 11.7 | 11.2 | 12.0 |
| | 14.0 | 10.4 | 9.9 | 9.4 | 10.2 | 9.7 | 9.2 | 10.2 | 9.7 | 9.2 | 10.0 | 9.5 | 9.0 | 14.0 |
| | 16.0 | 8.4 | 7.9 | 7.4 | 8.3 | 7.8 | 7.3 | 8.2 | 7.7 | 7.2 | 8.1 | 7.6 | 7.1 | 16.0 |
| | 18.0 | 7.0 | 6.5 | 6.0 | 6.9 | 6.4 | 5.9 | 6.8 | 6.3 | 5.8 | 6.7 | 6.2 | 5.7 | 18.0 |
| | 20.0 | 5.9 | 5.4 | 4.9 | 5.7 | 5.2 | 4.7 | 5.7 | 5.2 | 4.7 | 5.5 | 5.0 | 4.5 | 20.0 |
| | 22.0 | 5.0 | 4.5 | 4.0 | 4.9 | 4.4 | 3.9 | 4.8 | 4.3 | 3.8 | 4.7 | 4.2 | 3.7 | 22.0 |
| | 24.0 | 4.3 | 3.8 | 3.3 | 4.1 | 3.6 | 3.1 | 4.1 | 3.6 | 3.1 | 3.9 | 3.4 | 2.9 | 24.0 |
| | 26.0 | 3.7 | 3.2 | 2.7 | 3.5 | 3.0 | 2.5 | 3.5 | 3.0 | 2.5 | 3.3 | 2.8 | 2.3 | 26.0 |
| | 28.0 | 27.7m/3.2 | 27.7m/2.7 | 27.7m/2.2 | 3.0 | 2.5 | 2.0 | 3.0 | 2.5 | 2.0 | 2.8 | 2.3 | 1.8 | 28.0 |
| | 30.0 | | | | 2.6 | 2.1 | 1.6 | 2.5 | 2.0 | 1.5 | 2.4 | 1.9 | 1.4 | 30.0 |
| | 32.0 | | | | 30.3m/2.5 | 30.3m/2.0 | 30.3m/1.5 | 2.2 | 1.7 | 1.2 | 2.0 | 1.5 | | 32.0 |
| | 34.0 | | | | | | | 33.0m/1.9 | 33.0m/1.4 | | 1.7 | 1.2 | | 34.0 |
| 36.0 | | | | | | | | | | 35.6m/1.3 | | | 36.0 | |
| Reeves | 4 | 4 | 4 | 4 | 4 | 4 | 3 | 3 | 3 | 3 | 3 | 3 | Reeves | |

| Boom length (m) | 42.7 | | | 45.7 | | Boom length (m) | |
|--------------------|------|------|------|------|-----------|-----------------|------|
| Jib length (m) | 6.1 | 12.2 | 18.3 | 6.1 | 12.2 | Jib length (m) | |
| Working radius (m) | 9.0 | 16.7 | 16.2 | 15.7 | 9.4m/15.3 | 9.4m/14.8 | 9.0 |
| | 10.0 | 14.8 | 14.3 | 13.8 | 14.3 | 13.8 | 10.0 |
| | 12.0 | 11.9 | 11.4 | 10.9 | 11.5 | 11.0 | 12.0 |
| | 14.0 | 9.8 | 9.3 | 8.8 | 9.4 | 8.9 | 14.0 |
| | 16.0 | 8.1 | 7.6 | 7.1 | 7.8 | 7.3 | 16.0 |
| | 18.0 | 6.6 | 6.1 | 5.6 | 6.5 | 6.0 | 18.0 |
| | 20.0 | 5.5 | 5.0 | 4.5 | 5.4 | 4.9 | 20.0 |
| | 22.0 | 4.6 | 4.1 | 3.6 | 4.5 | 4.0 | 22.0 |
| | 24.0 | 3.9 | 3.4 | 2.9 | 3.7 | 3.2 | 24.0 |
| | 26.0 | 3.3 | 2.8 | 2.3 | 3.1 | 2.6 | 26.0 |
| | 28.0 | 2.7 | 2.2 | 1.7 | 2.6 | 2.1 | 28.0 |
| | 30.0 | 2.3 | 1.8 | 1.3 | 2.2 | 1.7 | 30.0 |
| | 32.0 | 1.9 | 1.4 | | 1.8 | 1.3 | 32.0 |
| 34.0 | 1.6 | 1.1 | | 1.4 | | 34.0 | |
| 36.0 | 1.3 | | | 1.1 | | 36.0 | |
| Reeves | 3 | 3 | 3 | 3 | 3 | Reeves | |

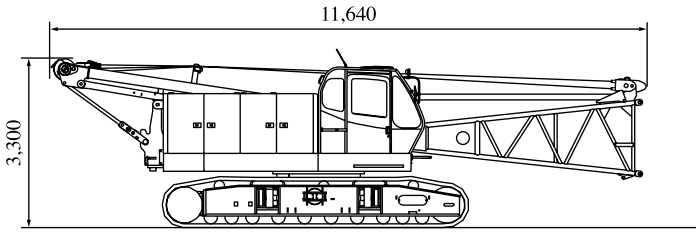
Note:
Ratings according to EN13000.
Refer to notes P10.

PARTS AND ATTACHMENTS

Dimensions: mm, Weight: kg

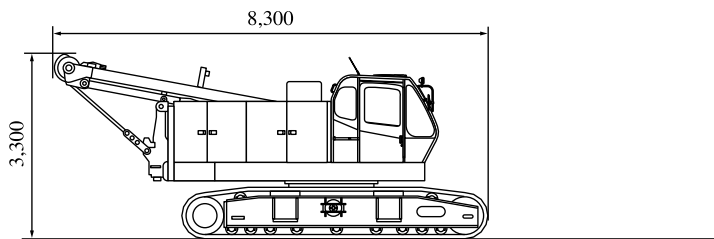
Base Machine

Base machine with gantry, boom base, crawlers, wire ropes for main and aux. winches, lower spreader and upper spreader
Weight: 40,800 kg Width: 3,390 mm



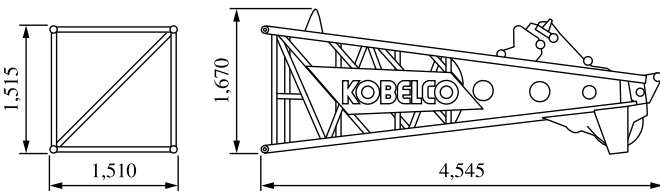
Base Machine

Base machine with gantry, crawlers, wire ropes for main and aux. winches and lower spreader
Weight: 38,660 kg Width: 3,390 mm



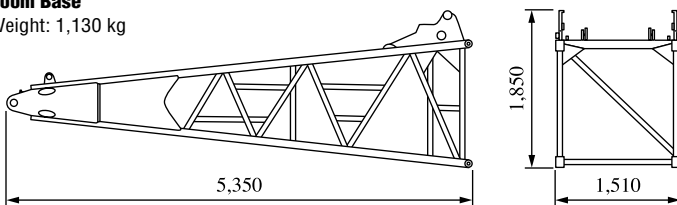
Boom Top (with guy cables)

Weight: 1,160 kg



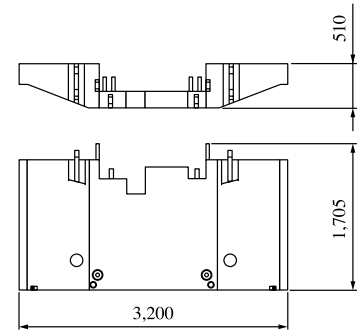
Boom Base

Weight: 1,130 kg



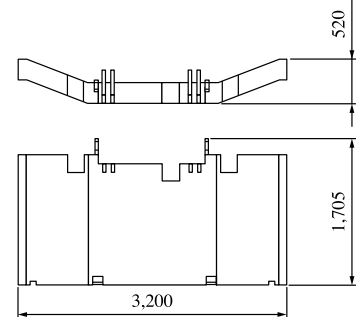
Counterweight A

Weight: 8,990 kg



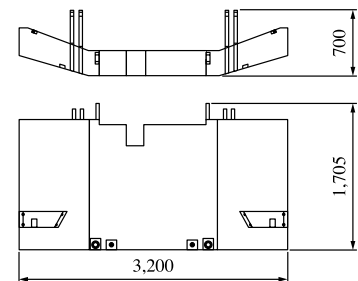
Counterweight B

Weight: 7,370 kg



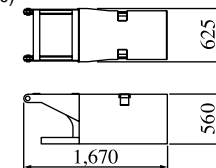
Counterweight C

Weight: 6,190 kg



Carbody weight

Weight: 1,550 kg (1pc)



Other Attachments

| Attachment | Weight | Dimensions (L x W x H) |
|----------------------------|--------------------------|--------------------------------|
| 3.0 m insert boom | 360 kg (with guy cables) | 3,160 mm x 1,510 mm x 1,515 mm |
| 6.1 m insert boom | 600 kg (with guy cables) | 6,210 mm x 1,510 mm x 1,515 mm |
| 6.1 m insert boom with lug | 620 kg (with guy cables) | 6,210 mm x 1,510 mm x 1,645 mm |
| 9.1 m insert boom | 840 kg (with guy cables) | 9,260 mm x 1,510 mm x 1,515 mm |
| 9.1 m insert boom with lug | 860 kg (with guy cables) | 9,260 mm x 1,510 mm x 1,645 mm |
| Jib Top | 145 kg | 3,475 mm x 675 mm x 625 mm |
| Jib base | 125 kg | 3,190 mm x 675 mm x 625 mm |
| 6.1 m insert jib | 165 kg (with guy cables) | 6,160 mm x 675 mm x 625 mm |
| Jib strut | 190 kg | 3,700 mm x 670 mm x 500 mm |
| Auxiliary sheave | 140 kg | 1,010 mm x 1,310 mm |
| Upper spreader | 280 kg | 1,580 mm x 300 mm x 680 mm |
| Lower spreader | 170 kg | 870 mm x 300 mm x 610 mm |
| Crawler(1pc) | 6,950 kg | 5,990 mm x 800 mm x 980 mm |
| 6.6-ton ball hook | 160 kg | 815 mm x 300 mm dia. |
| 19-ton hook block | 400 kg | 590 mm x 385 mm x 1,270 mm |
| 32-ton hook block | 500 kg | 590 mm x 330 mm x 1,530 mm |
| 70-ton hook block | 800 kg | 600 mm x 380 mm x 1,770 mm |

Note: Estimated weights may vary \pm 2%



HYDRAULIC CRAWLER CRANE
CKE700

Standard Equipment

Upper structure/Lower structure

Counterweight: 22.6 ton (total weight)
 Carbody weight: 3.1 ton (total weight)
 800 mm shoe crawlers
 Batteries (150 Ah/20HR)
 Travel kit
 Gantry raising/lowering cylinder
 Electric hand throttle grip
 Variable boom hoist speed controller
 Variable main/aux. hoist speed controller
 Swing neutral-free/brake select switch
 Side deck for cab
 Steps (crawlers)
 Two front working lights
 Upper spreader storage guide
 Tools (for routine maintenance)
 Two rear view mirrors
 Mirror for monitoring drums
 Electric fuel pump
 Counterweight self removal
 Cable roller (for boom)
 Tool box (front of left-side guard)

Cab/Control

Boom hoist pedal (EU area only)
 Air conditioner
 Cup holder
 Ashtray
 Cigar lighter
 Intermittent wiper & window washer
 (skylight and front window)
 Sun visor
 Roof blind
 Floor mat (cloth)
 Foot rest
 Shoe tray
 Level gauge (operator cabin)

Safety Device

Load Moment Indicator (with boom lowering slow stop function)
 LMI release key (for hook over-hoist prevention device
 and boom over-hoist prevention device)
 LCD multi display
 Ultimate stop function for boom over-hoist
 Function lock lever
 Propel lever lock
 Mechanical drum lock pawl (main, aux. and boom hoist)
 Signal horn
 Swing parking brake
 Mechanical swing lock pin (two positions)
 Swing flashers/warning buzzer
 Cab window guard (left side)
 Cab top guard
 Fire extinguisher
 External lamp for over-load alarm
 Life hammer

Note: Standard equipment may vary depending on your areas or countries.
 Due to our policy of continual product improvements all designs and specifications are subject to change without advance notice.
 Copyright by KOBELCO CRANES CO., LTD. No part of this catalog may be reproduced in any manner without notice.



KOBELCO CRANES CO., LTD.

17-1, Higashigotanda 2-chome, Shinagawa-ku, Tokyo 141-8626 JAPAN
 Tel: +81-3-5789-2130 Fax: +81-3-5789-3372

Inquiries To:

KOBELCO is the corporate mark used by Kobe Steel on a variety of products
 and in the names of a number of Kobe Steel Group companies.

Bulletin No. CKE700-1FSPEC-EU3 0603011F Printed in Japan